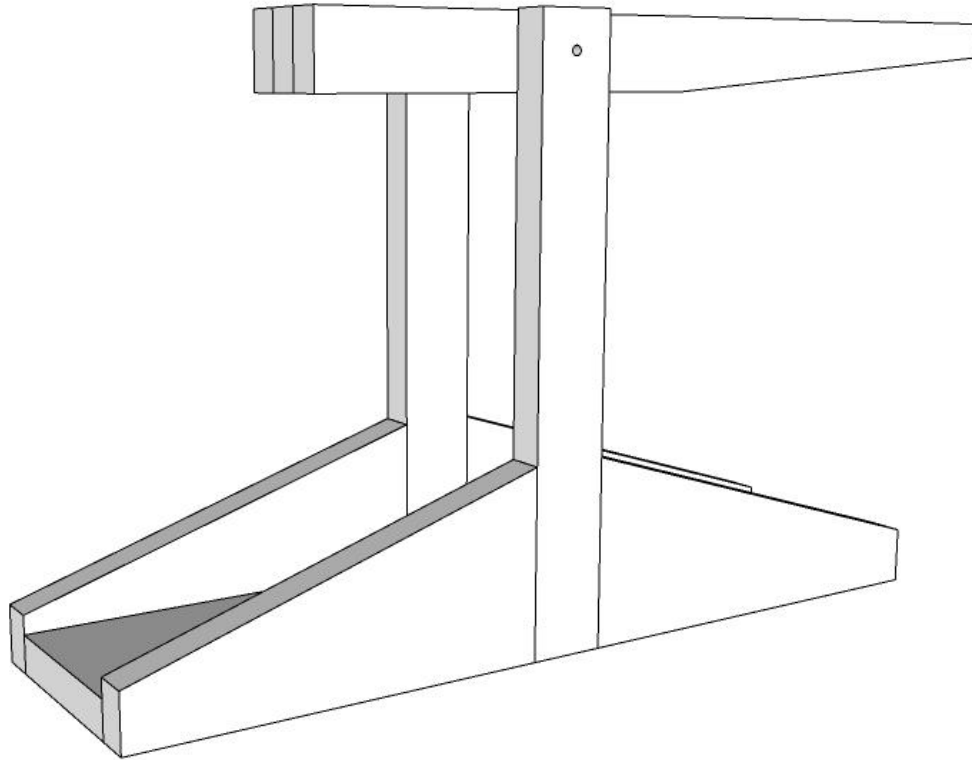


# Trebuchet



Design: Marc Spagnuolo  
Plans: Marc Spagnuolo & Brian Benham  
Copyright © 2020, The Wood Whisperer, Inc. [TheWoodWhisperer.com](http://TheWoodWhisperer.com)  
Version 1



**TWW**<sup>®</sup>

# Cut List

Part ID	Part Description	Material	QTY	Width	Length	Thickness
A	Base	4/4 Hardwood	1	2 1/2"	12"	1/2"
B	Support	4/4 Hardwood	4	2 1/2"	5 1/2"	1/2"
C	Tower	4/4 Hardwood	2	1"	8"	1/2"
D	Spacer	4/4 Hardwood	2	1"	4"	1/2"
E	Swing Arm	4/4 Hardwood	1	1"	12"	1/2"

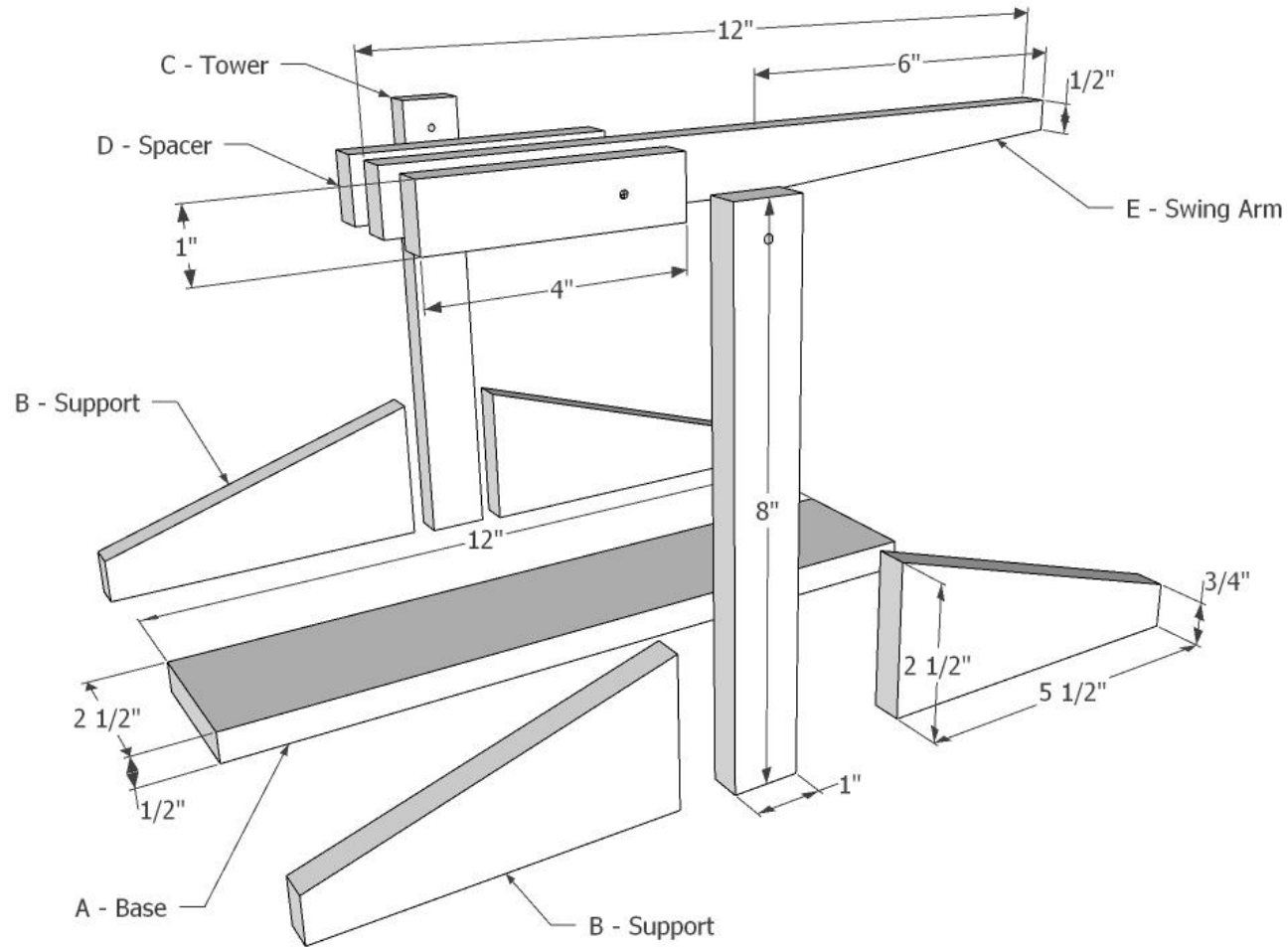
# Materials List

Description	Type	Approximate BF	+20%
4/4 Hardwood	Species 1	1	2

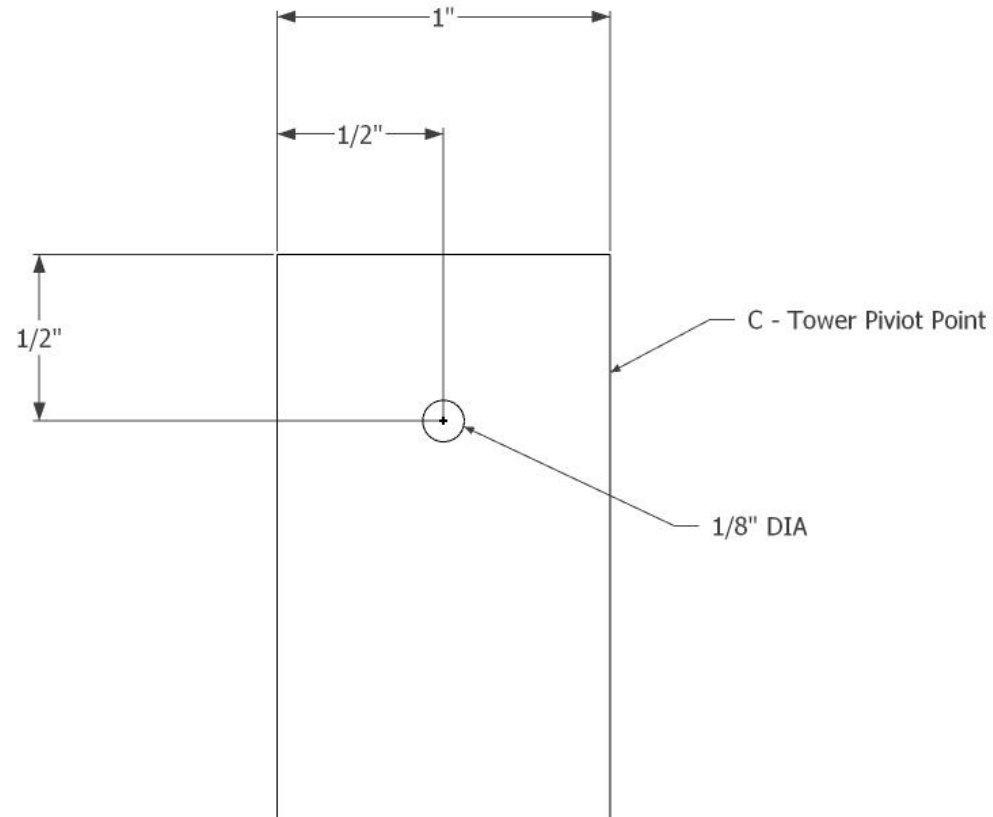
\*Note Board Feet quantities have been rounded up to the nearest board foot

Description	Type	Qty
1/8" Brass Rod	n/a	3 1/2"
String	na	n/a
Small Screw Eye	#216 - 1/2"	1
Larger Screw Eye	#210	1
1/4" Washer		1
1/2" Washers		20
Small headless nail		1
1/2" Bolt - 3 1/2"L		1

# Exploded View



# Post Hole Detail



# Arm Hole Detail

