



Woven Panel Rolling Hamper



This unique hamper was designed to meet the needs of my growing family. Two compartments with removable bags gives us lots of capacity and casters on the underside allow the unit to roll around effortlessly. The woven-panels not only look great, but allow the interior of the hamper to breathe.

Watch the videos!

Part 1: <http://thewoodwhisperer.com/videos/woven-panel-rolling-hamper-pt-1>

Part 2: <http://thewoodwhisperer.com/videos/woven-panel-rolling-hamper-pt-2>

Design: Marc Spagnuolo Plans: Marc Spagnuolo & Scott Seganti

Copyright © 2015, The Wood Whisperer, Inc. TheWoodWhisperer.com



Cut List

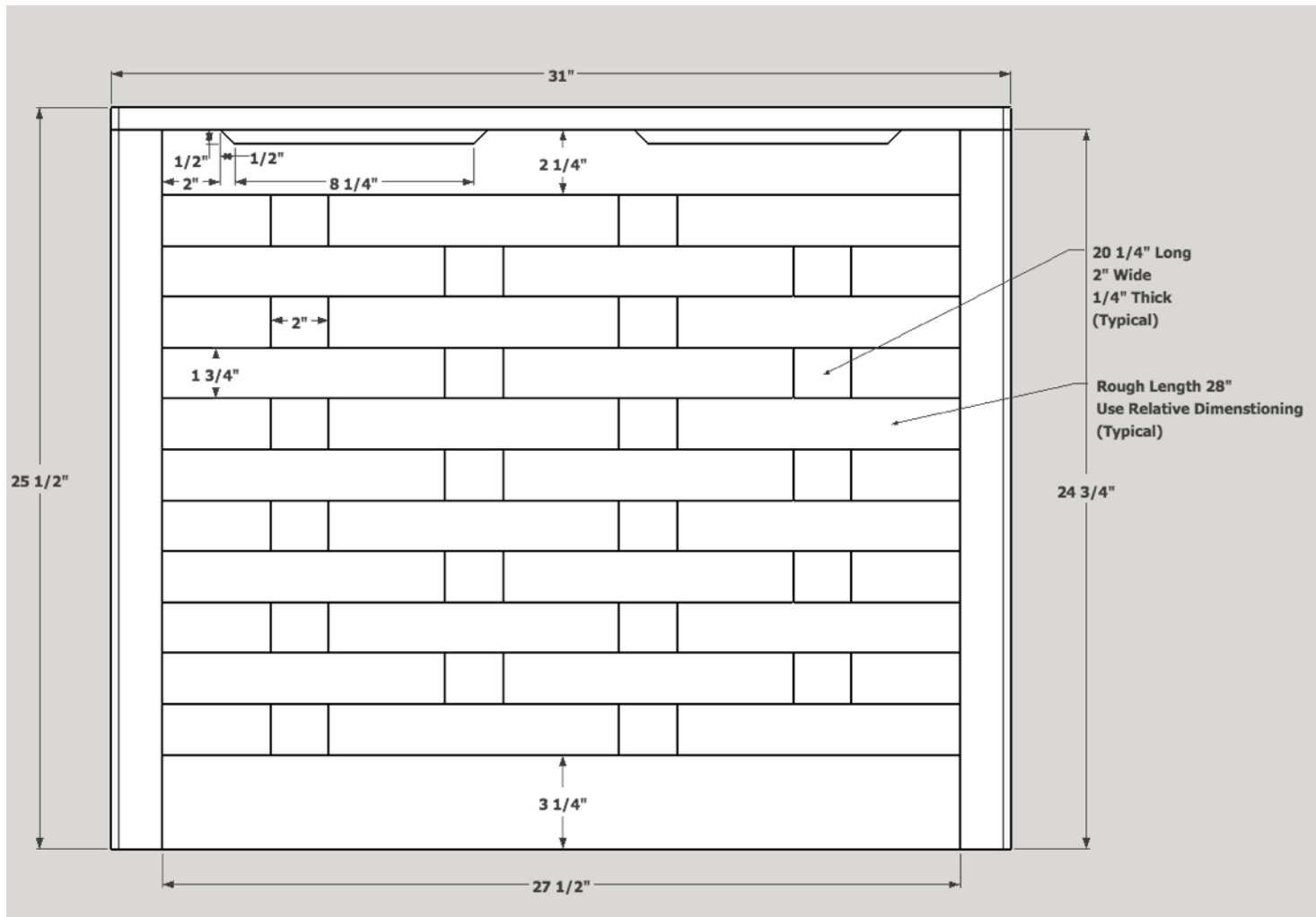
	Part ID	Part Description	Material	Qty	Length	Width	Thickness
Base	A	Legs	8/4 Solid Stock	4	24 3/4"	1 3/4"	1 3/4"
	B	Long Top Rails	4/4 Solid Stock	2	27 1/2"	2 1/4"	3/4"
	C	Short Top Rails	4/4 Solid Stock	2	13"	2 1/4"	3/4"
	D	Long Bottom Rails	4/4 Solid Stock	2	27 1/2"	3 1/4"	3/4"
	E	Short Bottom Rails	4/4 Solid Stock	2	13"	3 1/4"	3/4"
	F	Center Divider	4/4 Solid Stock	1	16" *	2 1/4"	3/4"
	G	Vertical Supports	4/4 Solid Stock	8	20 1/4"	2"	1/4"
	H	Front Weave Strips	4/4 Solid Stock	11	29" *	1 3/4"	1/8"
	I	Side Weave Strips	4/4 Solid Stock	22	14 1/2" *	1 3/4"	1/8"
	J	Back Panel	Plywood	1	28 1/2"	20 1/8"	1/4"
	K	Bottom Panel	Plywood	1			1/2"
Lid	L	Rails	4/4 Solid Stock	2	31"	2 1/4"	3/4"
	M	Outer Stiles	4/4 Solid Stock	2	12"	2 1/4"	3/4"
	N	Center Stile	4/4 Solid Stock	1	12"	2"	3/4"
	O	Panels	Plywood	2	13 1/4"	13"	1/4"

Totals	Material	BF	BF +20%
	8/4 Solid Stock	2.4	3
	4/4 Solid Stock	6.9	8.5
	1/2" Plywood		
	1/4" Plywood		

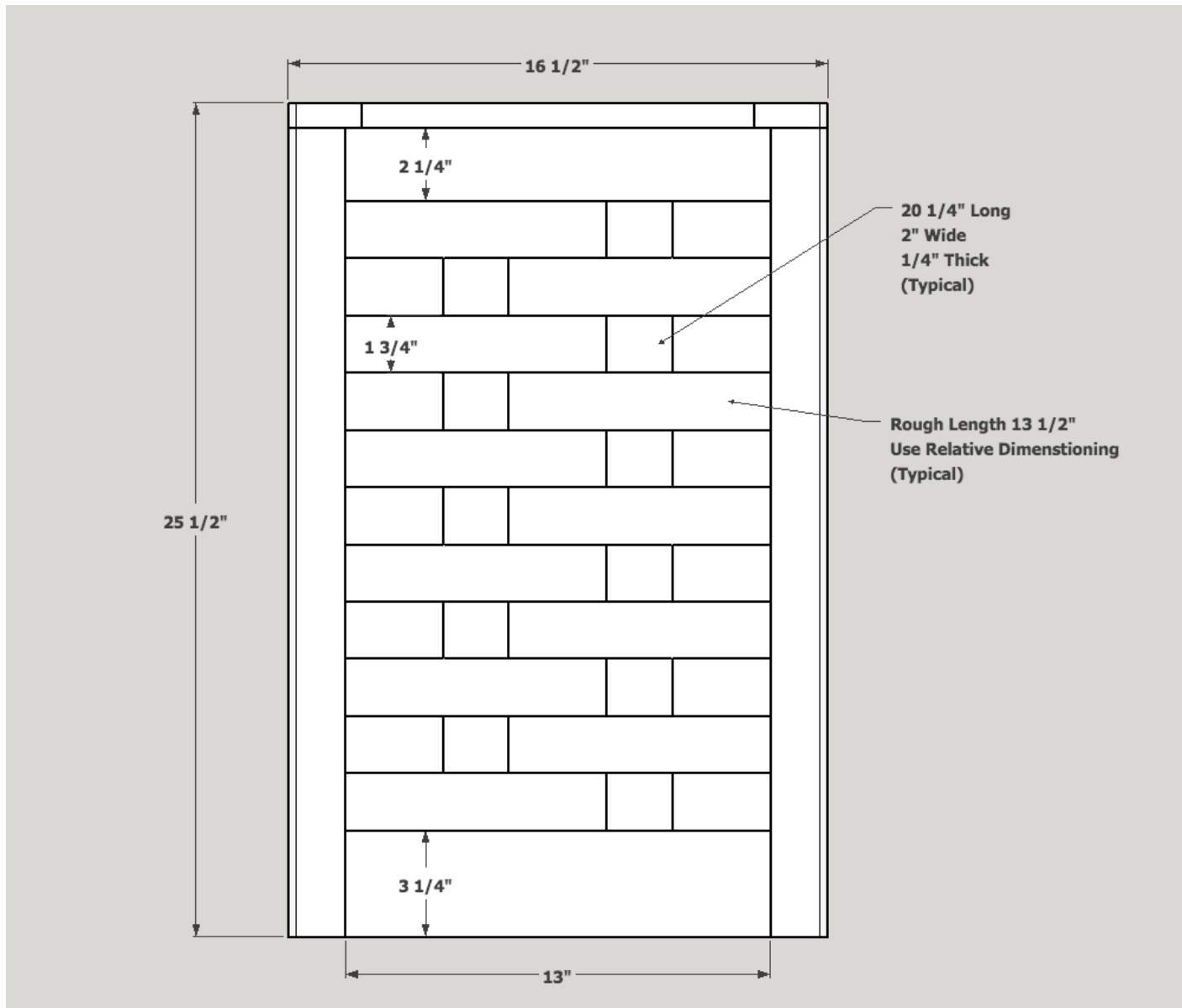
Notes

- Center Divider, Front Weave Strips and Side Weave Strips should all be cut to final dimension after measuring a dry assembly. Numbers listed are safe approximations and include overage.
- All frame parts will be longer if incorporating traditional mortise and tenon joints.

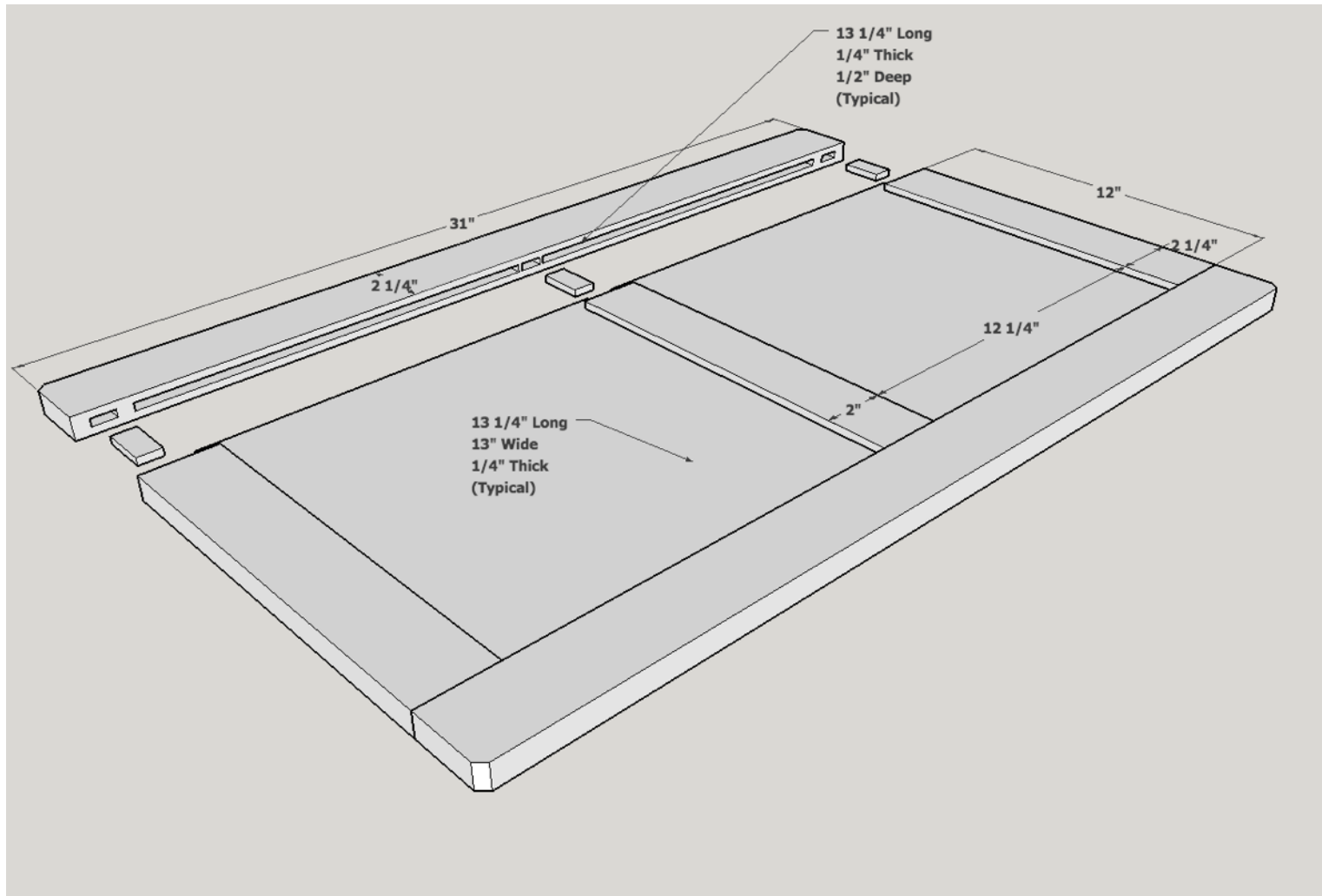
Front



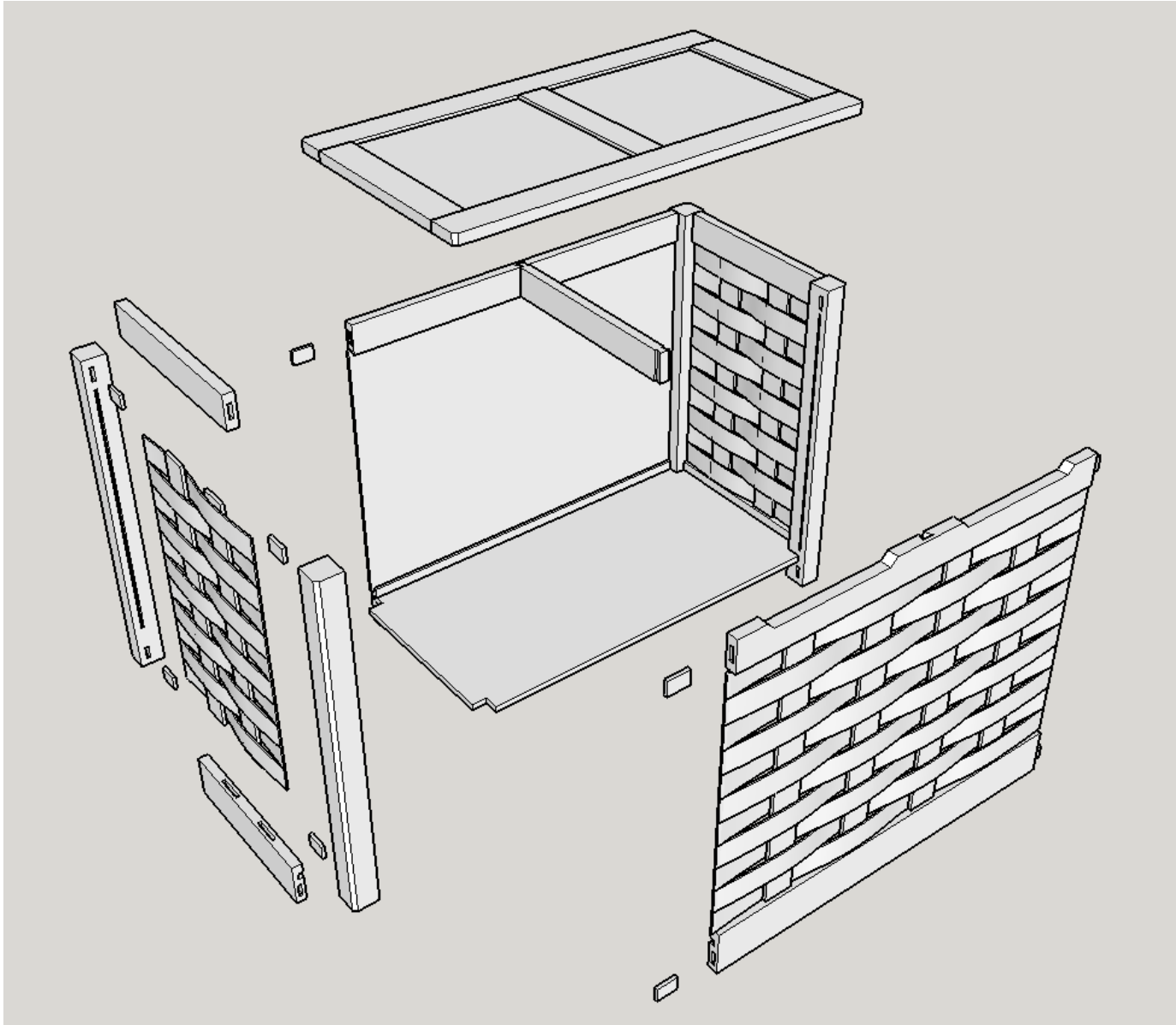
Side



Top

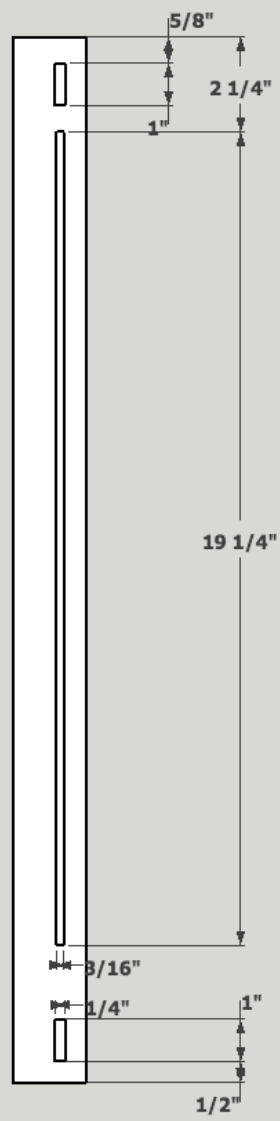


Exploded

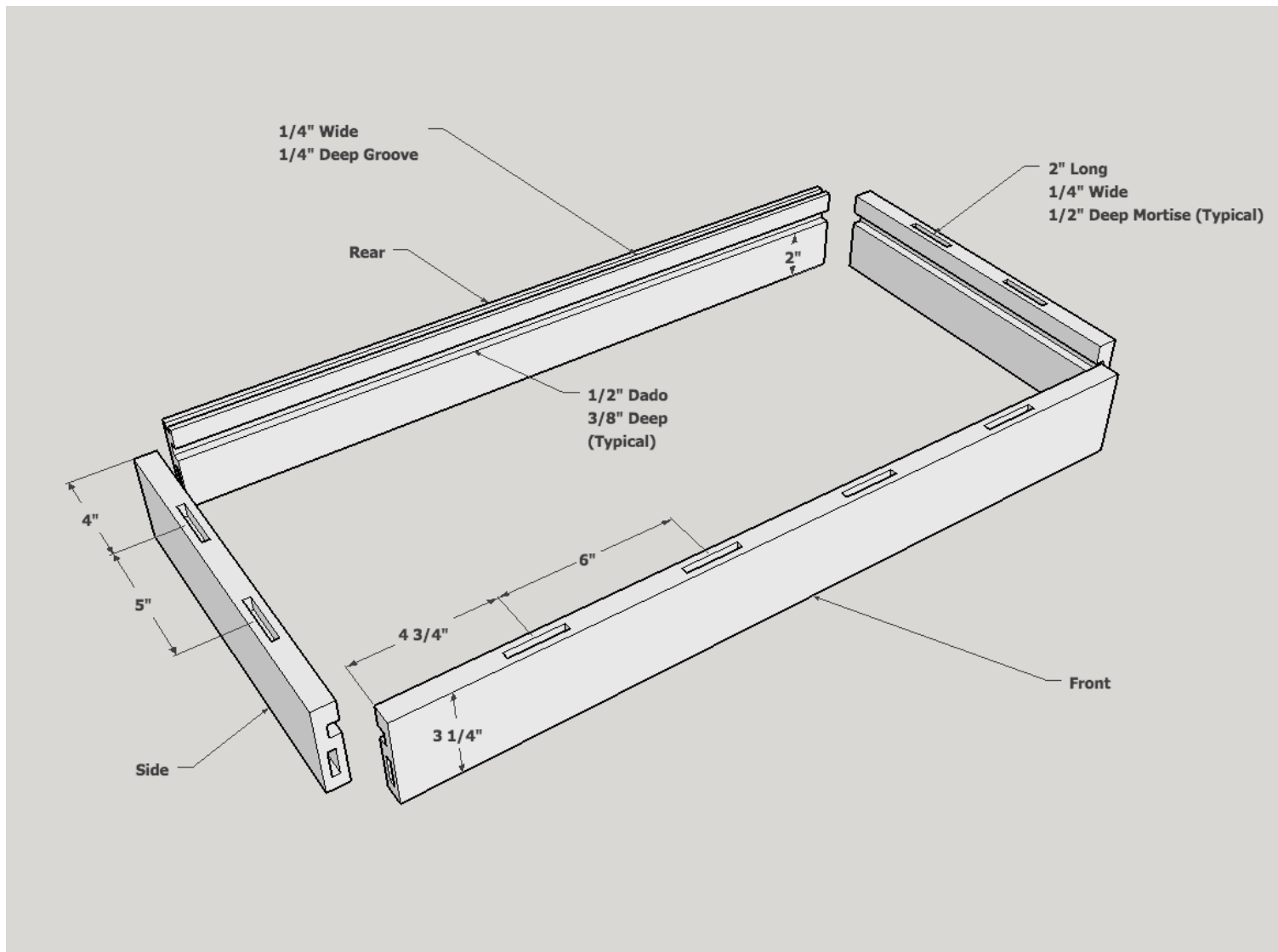




Leg

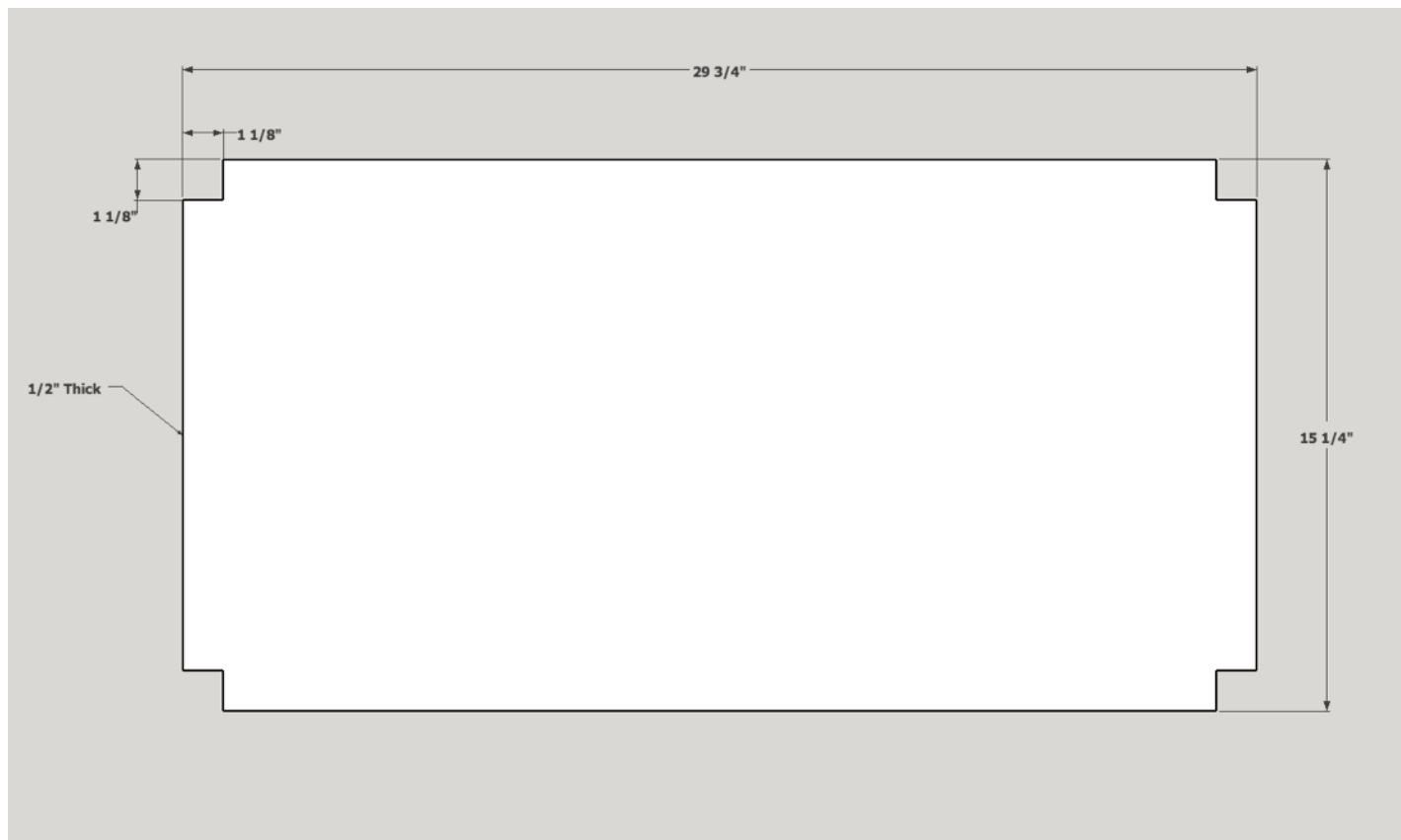


Base





Bottom Panel





Back Panel

