



Woven Panel Rolling Hamper (Metric)



This unique hamper was designed to meet the needs of my growing family. Two compartments with removable bags gives us lots of capacity and casters on the underside allow the unit to roll around effortlessly. The woven-panels not only look great, but allow the interior of the hamper to breathe.

Watch the videos!

Part 1: <http://thewoodwhisperer.com/videos/woven-panel-rolling-hamper-pt-1>

Part 2: <http://thewoodwhisperer.com/videos/woven-panel-rolling-hamper-pt-2>

Design: Marc Spagnuolo Plans: Marc Spagnuolo & Scott Seganti

Copyright © 2015, The Wood Whisperer, Inc. TheWoodWhisperer.com



Cut List

	Part ID	Part Description	Material	Qty	Length (mm)	Width (mm)	Thickness (mm)
Base	A	Legs	50mm Solid Stock	4	629	44	44
	B	Long Top Rails	25mm Solid Stock	2	698	57	19
	C	Short Top Rails	25mm Solid Stock	2	330	57	19
	D	Long Bottom Rails	25mm Solid Stock	2	698	83	19
	E	Short Bottom Rails	25mm Solid Stock	2	330	83	19
	F	Center Divider	25mm Solid Stock	1	406 *	57	19
	G	Vertical Supports	25mm Solid Stock	8	514	50	6
	H	Front Weave Strips	25mm Solid Stock	11	736*	44	3
	I	Side Weave Strips	25mm Solid Stock	22	368 *	44	3
	J	Back Panel	Plywood	1	724	511	6
	K	Bottom Panel	Plywood	1			12
Lid	L	Rails	25mm Solid Stock	2	787	57	19
	M	Outer Stiles	25mm Solid Stock	2	305	57	19
	N	Center Stile	25mm Solid Stock	1	305	50	19
	O	Panels	Plywood	2	336	330	6

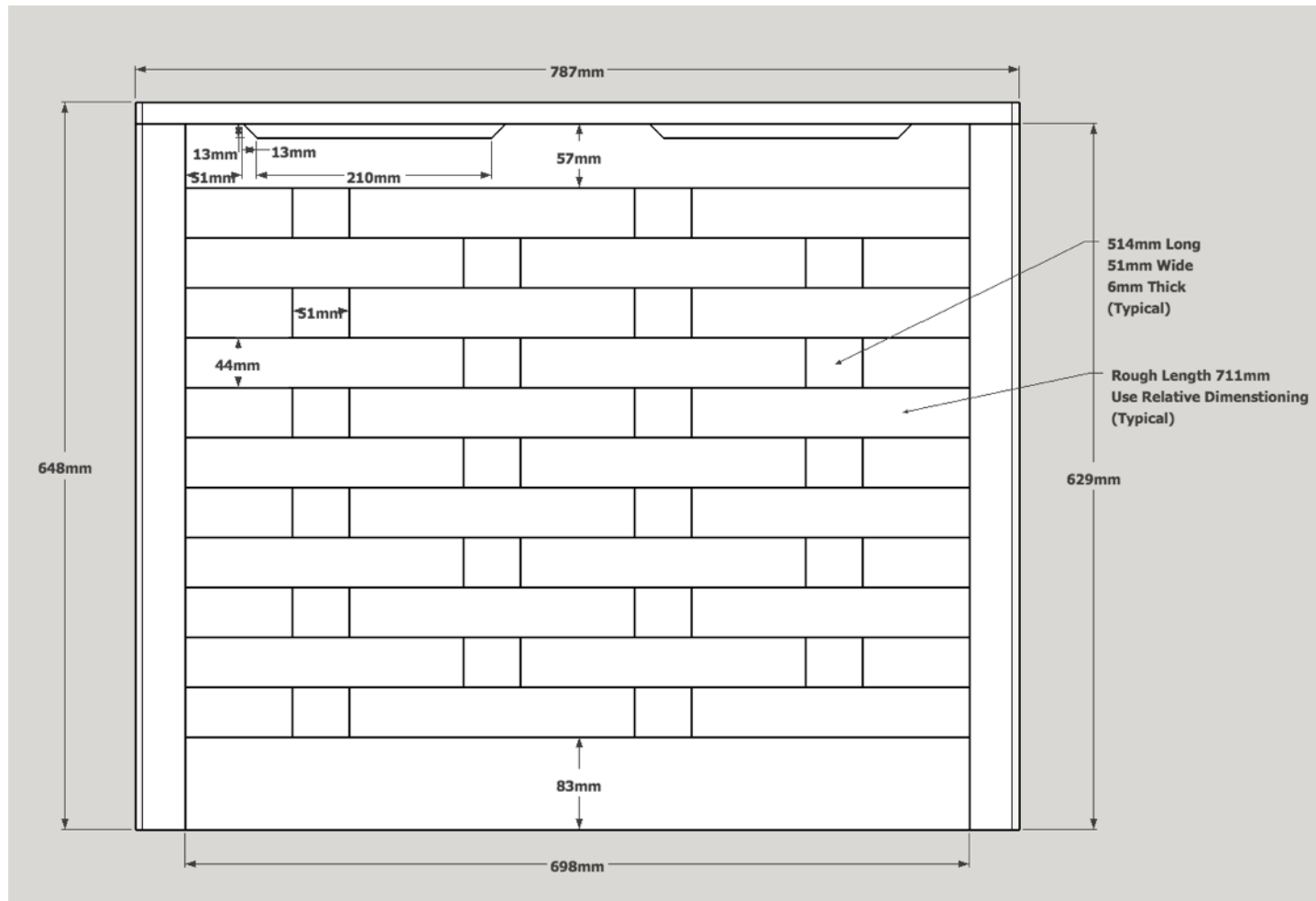
	Material	BF	BF +20%
Totals	8/4 (50mm) Stock	2.4	3
	4/4 (25mm) Stock	6.9	8.5
	12mm Plywood		
	6mm Plywood		

Notes

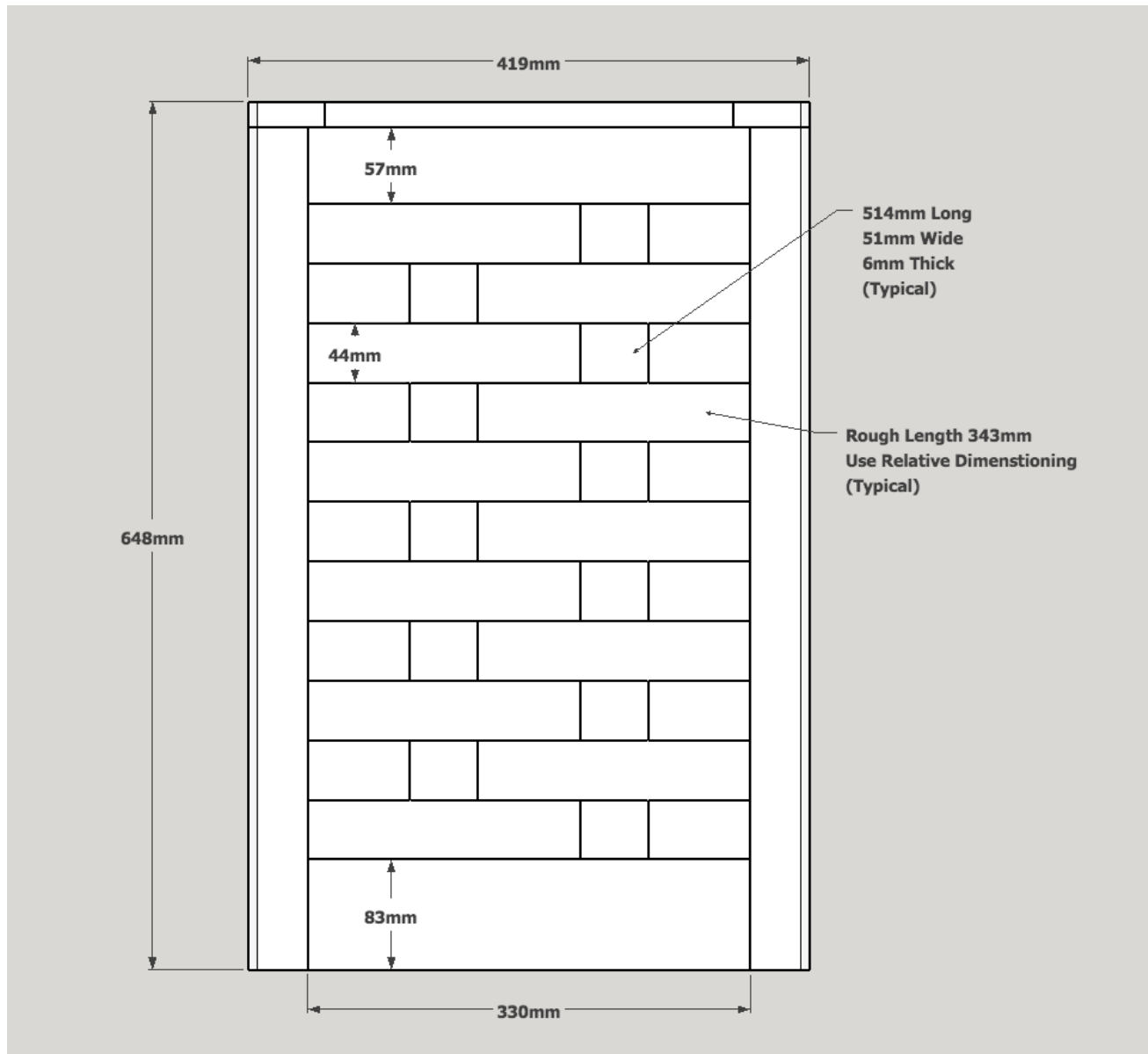
- Center Divider, Front Weave Strips and Side Weave Strips should all be cut to final dimension after measuring a dry assembly. Numbers listed are safe approximations and include overage.
- All frame parts will be longer if incorporating traditional mortise and tenon joints.



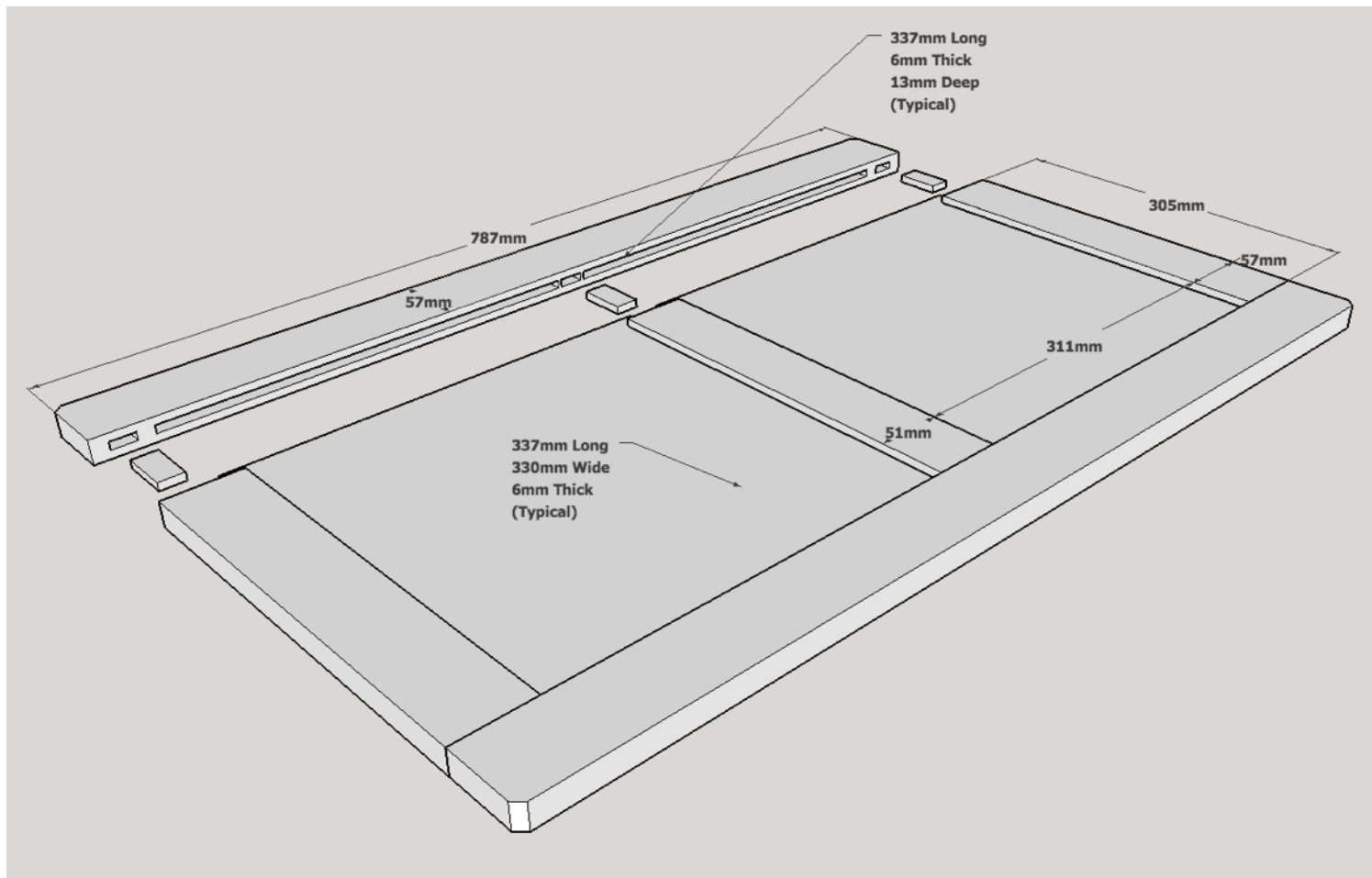
Front



Side

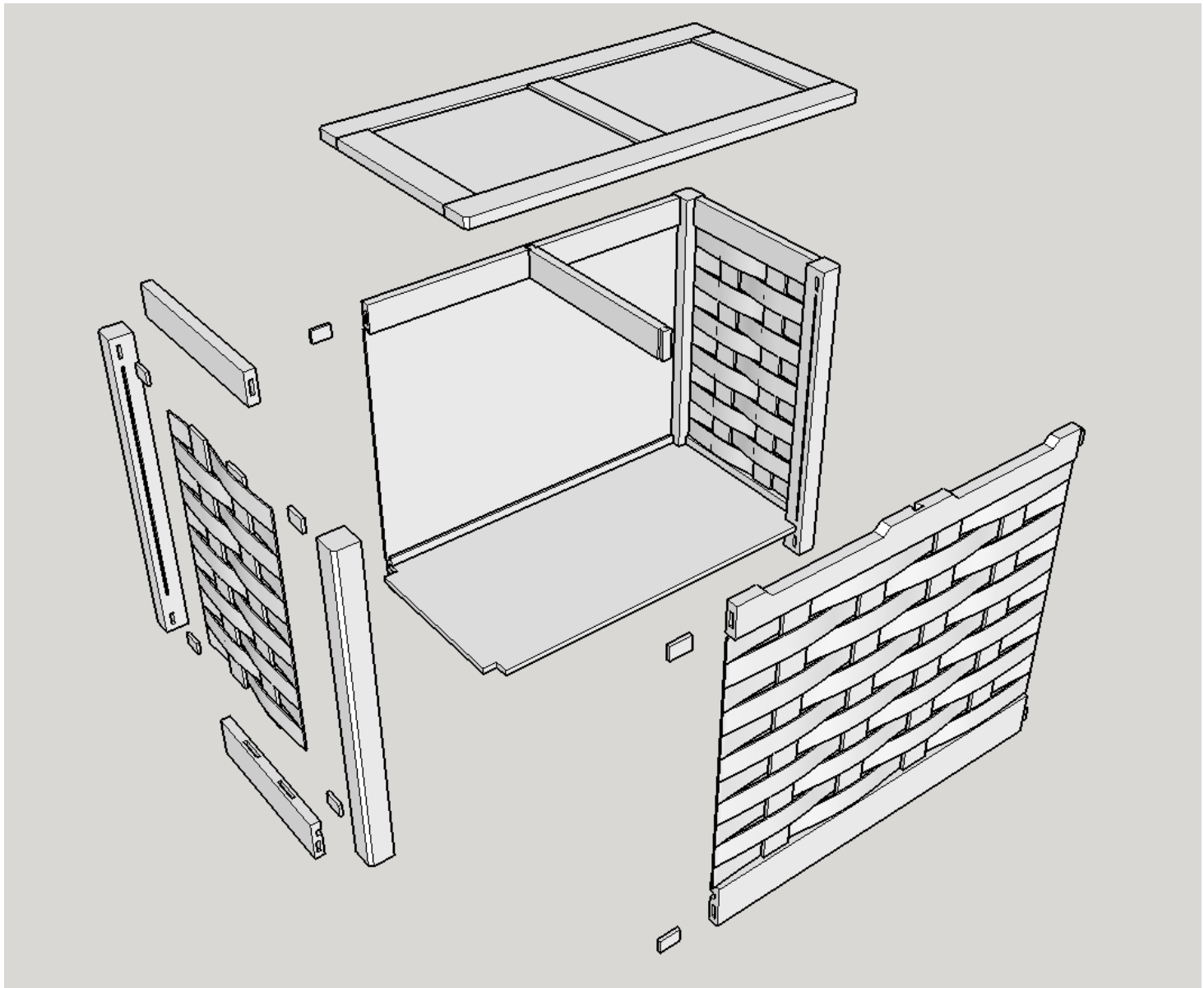


Top

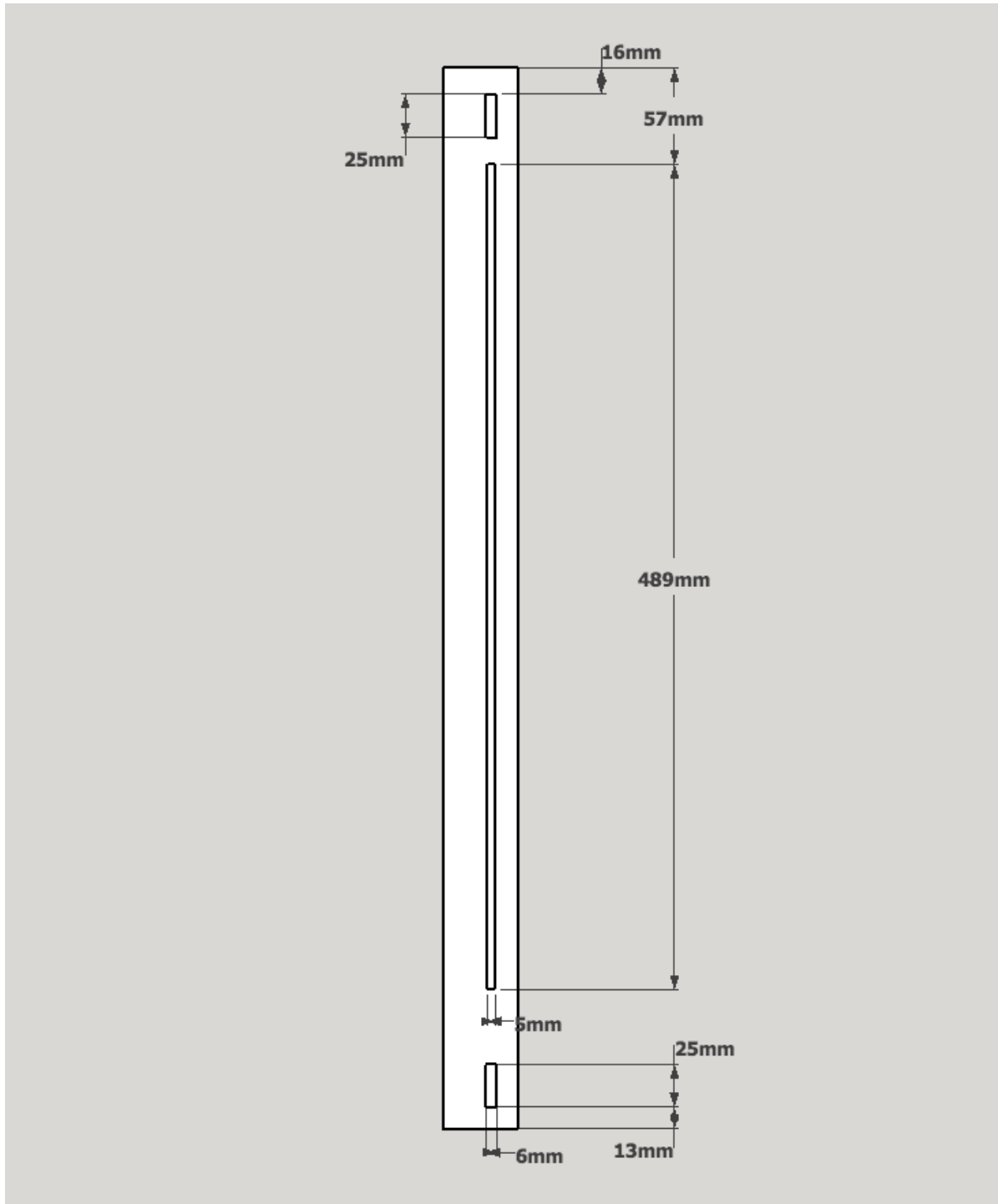




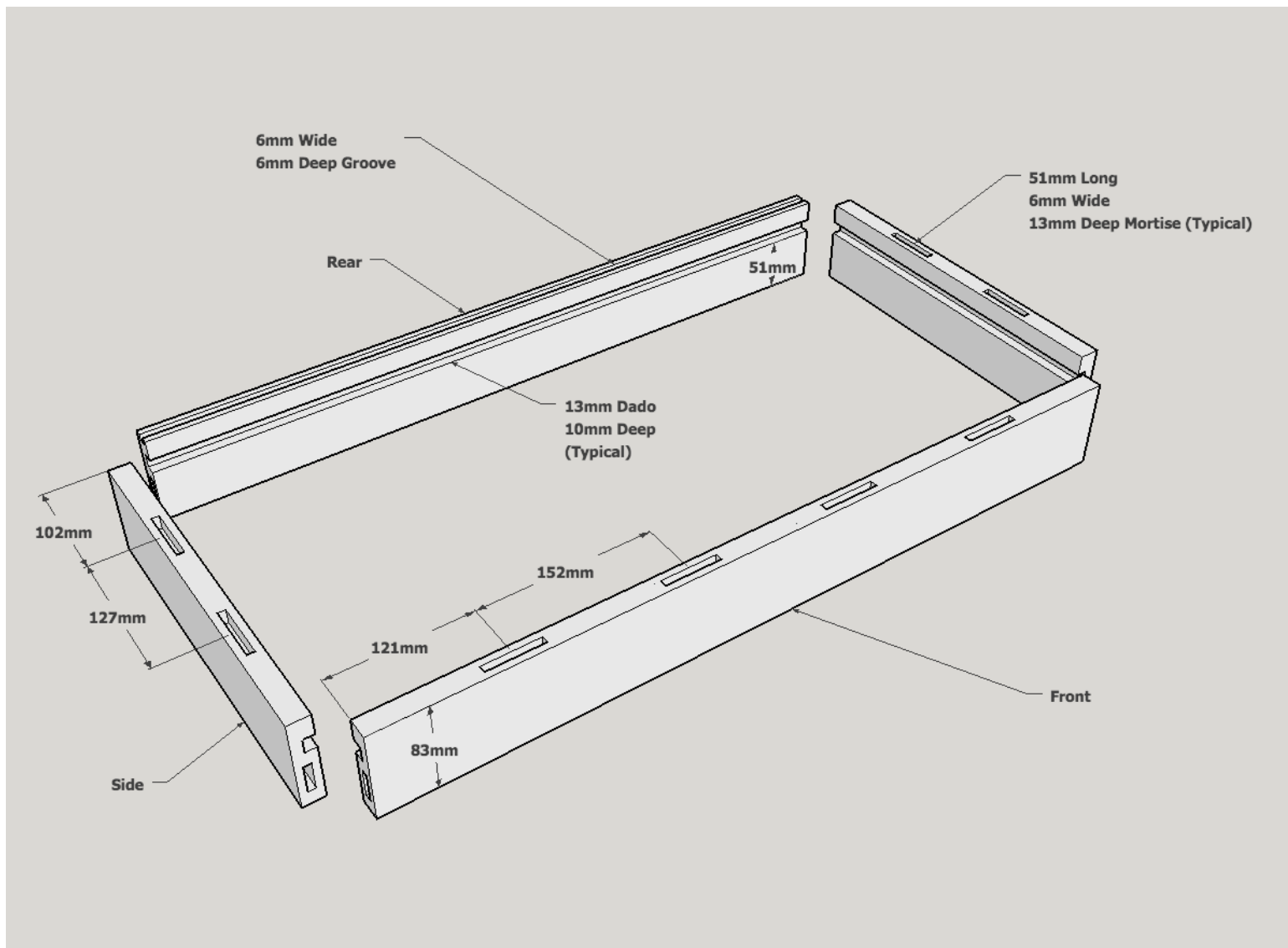
Exploded



Leg



Base





Bottom Panel





Back Panel

