



# Outdoor Sitting Bench



This simple yet elegant outdoor bench is built to last for decades outdoors. We offer two versions: basic and fancy. As designed, the project features numerous mortise and tenon joints but you can easily substitute dowels, Dominos, or pocket screws and still end up with a great-looking bench.

Check out the accompanying video for this project:

[www.thewoodwhisperer.com/videos/outdoor-sitting-bench](http://www.thewoodwhisperer.com/videos/outdoor-sitting-bench)

For more FREE project and technique videos: [www.thewoodwhisperer.com](http://www.thewoodwhisperer.com)



# Cut List

	Part ID	Part Description	Material	Qty	Length (mm)	Width (mm)	Thickness (mm)
Top	A	Top Rails	4/4 Solid Stock	2	1219	64	19
	B	Top Slats (Narrow)	4/4 Solid Stock	17	330	51	19
	C	Top Slats (Wide)	4/4 Solid Stock	2	330	64	19
Base	D	Aprons (Long)	4/4 Solid Stock	2	1130	64	19
	E	Aprons (Short)	4/4 Solid Stock	2	318	64	19
	F	Cleats	4/4 Solid Stock	2	1067	25	19
	G	Legs (See Note)	4/4 Solid Stock	4	413	57	57

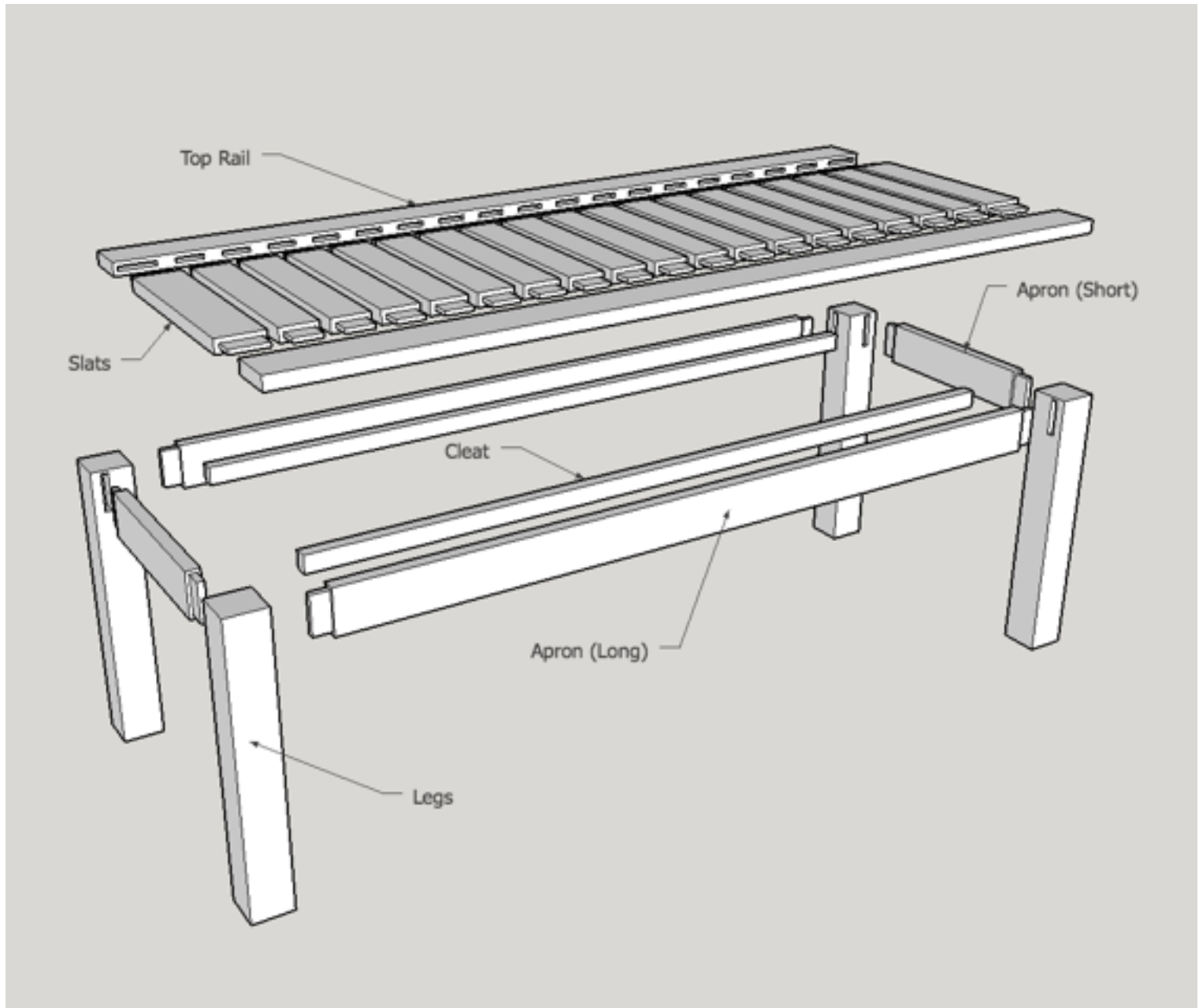
Totals	Material	Board Feet	Board Feet +20%
	4/4 Solid Stock	10	12

## Notes

Each leg is made up of three pieces of 4/4 stock glued together to obtain the final width and thickness of 57 mm. It's a good idea to keep the boards oversized in thickness and width so you can trim them to final dimension after the glueup. If the legs come out less than 57 mm in either width or thickness, that's OK. Just make them square and get as close to 57 mm as you can.



# Exploded

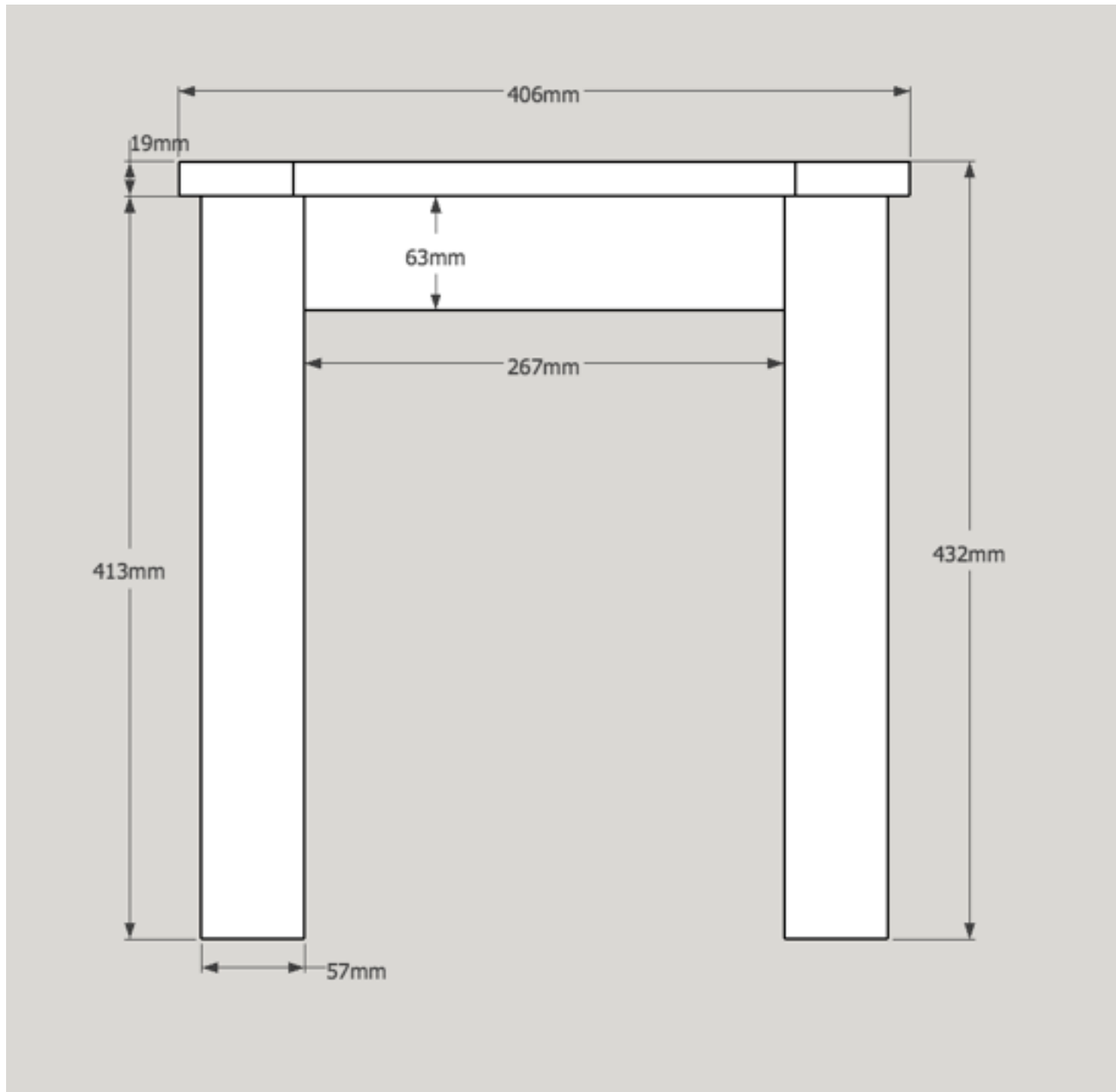




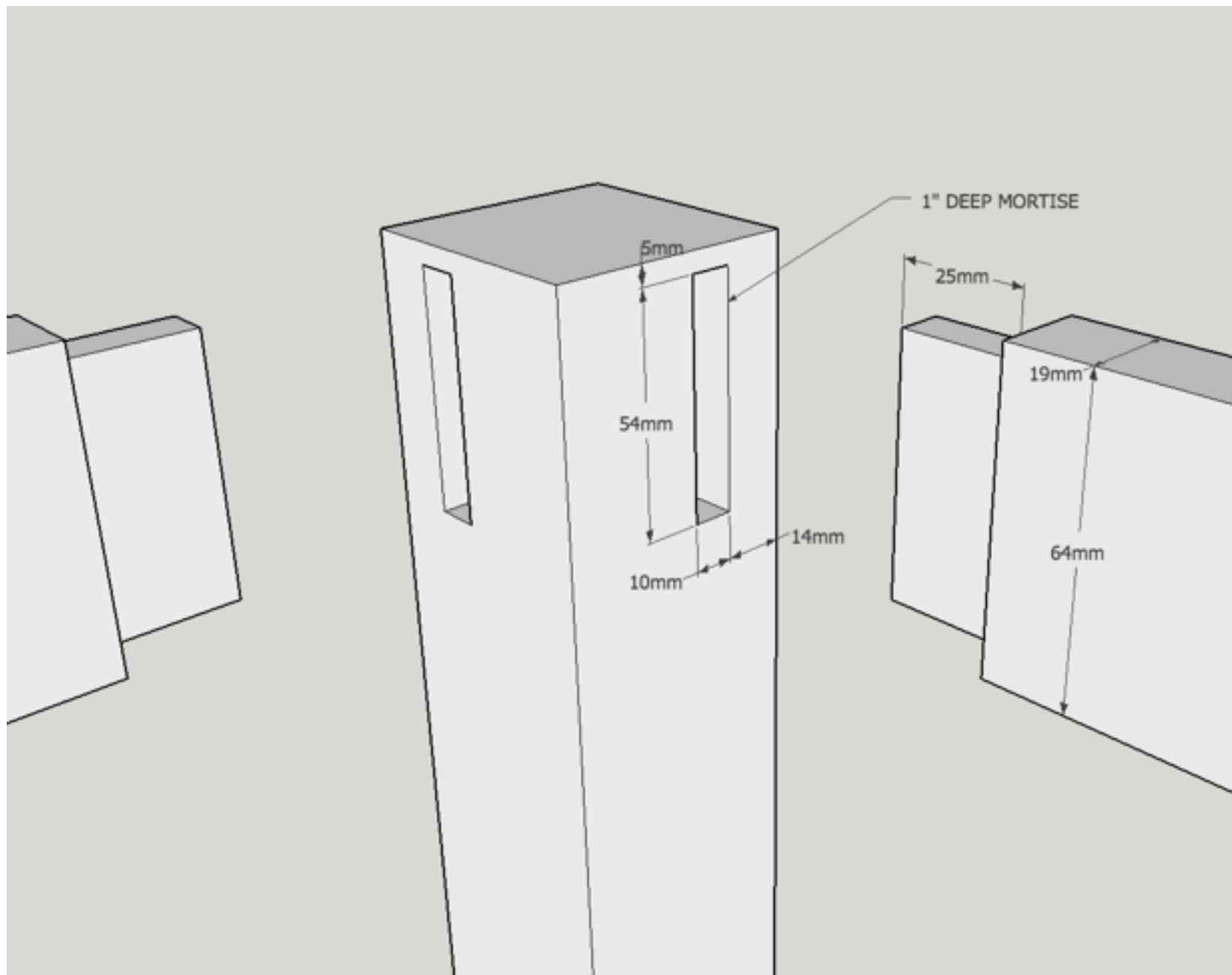
# Front



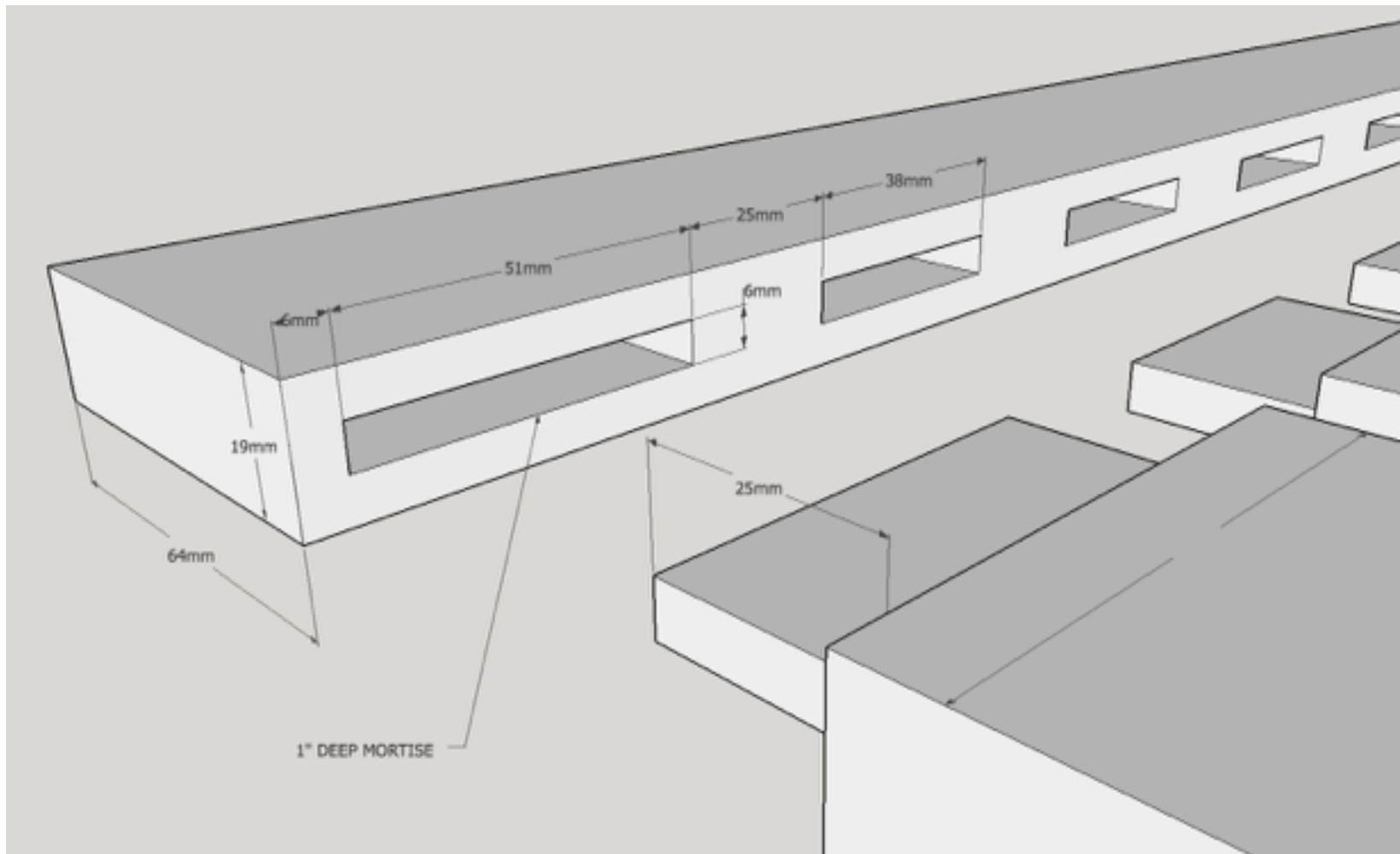
# Side



# Leg Joinery



# Slat Joinery





## Fancy Version

