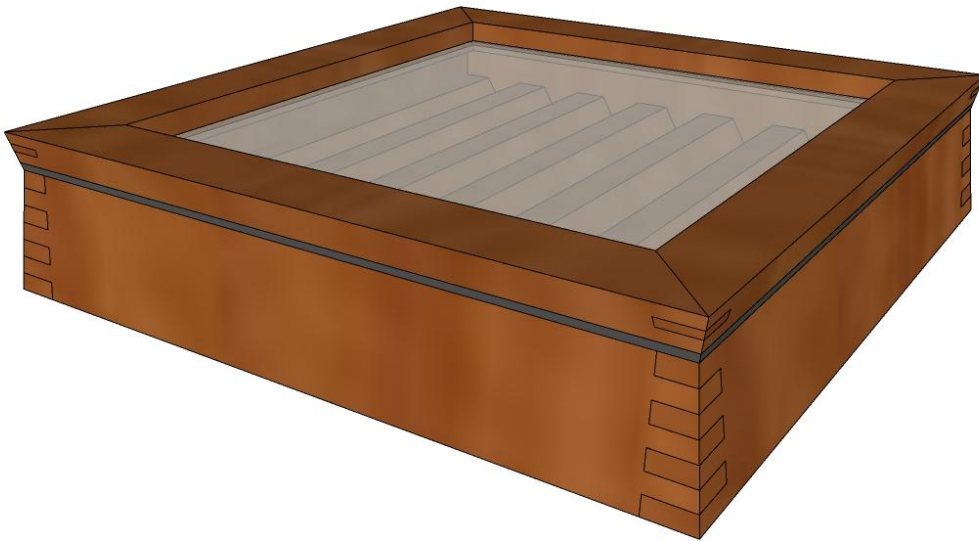


Pocket Knife Display Case

Knives are cool! Why not make a beautiful box to store and display them?



Design: Marc Spagnuolo
Plans: Marc Spagnuolo & Brian Benham
Copyright © 2019, The Wood Whisperer, Inc. TheWoodWhisperer.com
Version 1



TWW[®]

Cut List

Part ID	Part Description	Material	QTY	Width	Length	Thickness
A	Side	4/4 Hardwood Species 1	4	51mm	305mm	19mm
B	Bottom	6mm Plywood Species 1	1	279mm	279mm	6mm
C	Lid	4/4 Hardwood Species 1	4	32mm	298mm	13mm
D	Accent Banding	4/4 Hardwood Species 2	4	32mm	298mm	3mm
E	Spline	4/4 Hardwood Species 1	4	11mm +/-	25mm +	Blade
F	Rack	4/4 Hardwood Species 1	7	25mm	267mm	19mm
G	Glass Stop	4/4 Hardwood Species 1	4	13mm	260mm	3mm

IMPORTANT! These plans were converted from imperial measurements, and rounded to the nearest mm. It is recommended you use relative dimensioning to ensure a good fit.

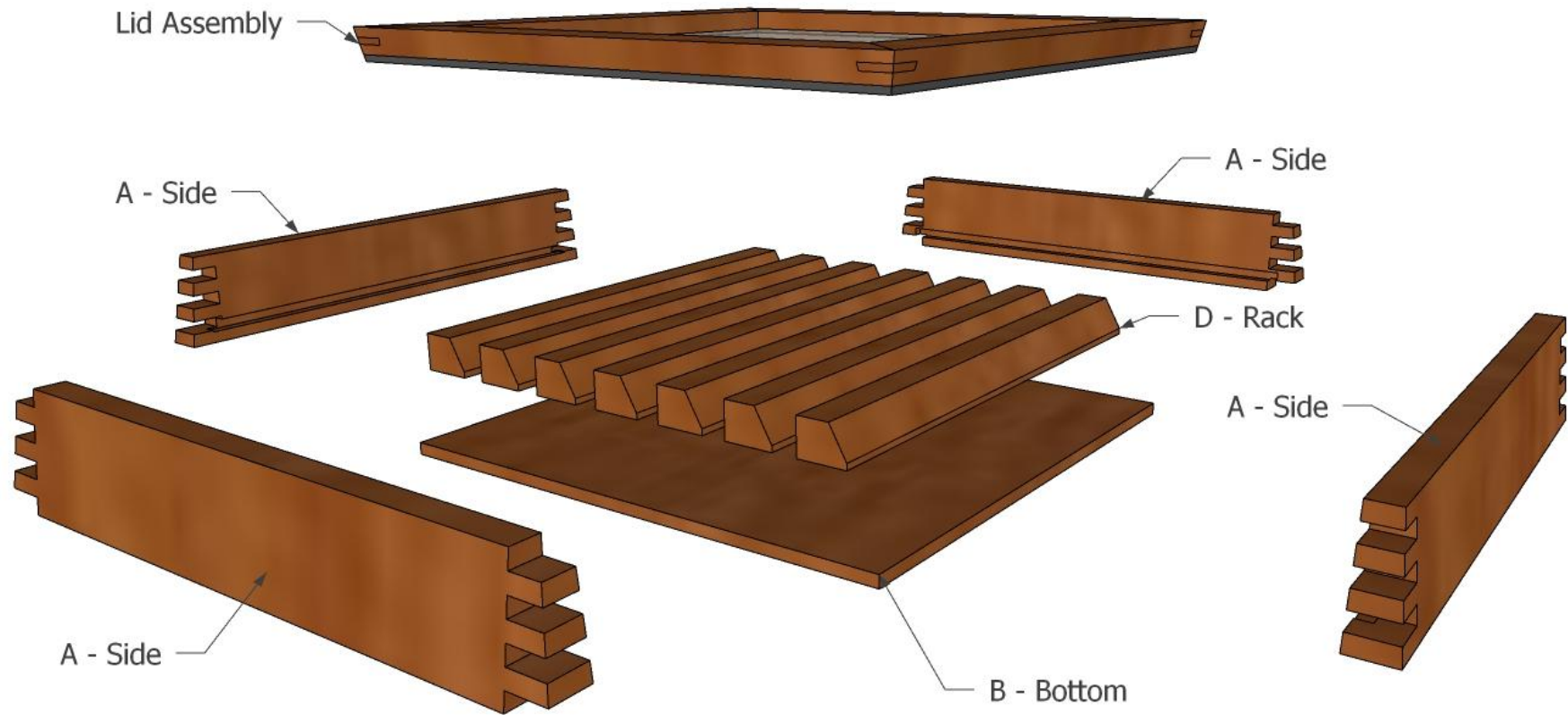
Materials List

Description	Type	Approximate BF	+20%
4/4 Hardwood	Species 1	2	3
4/4 Hardwood	Species 2	0.5	1

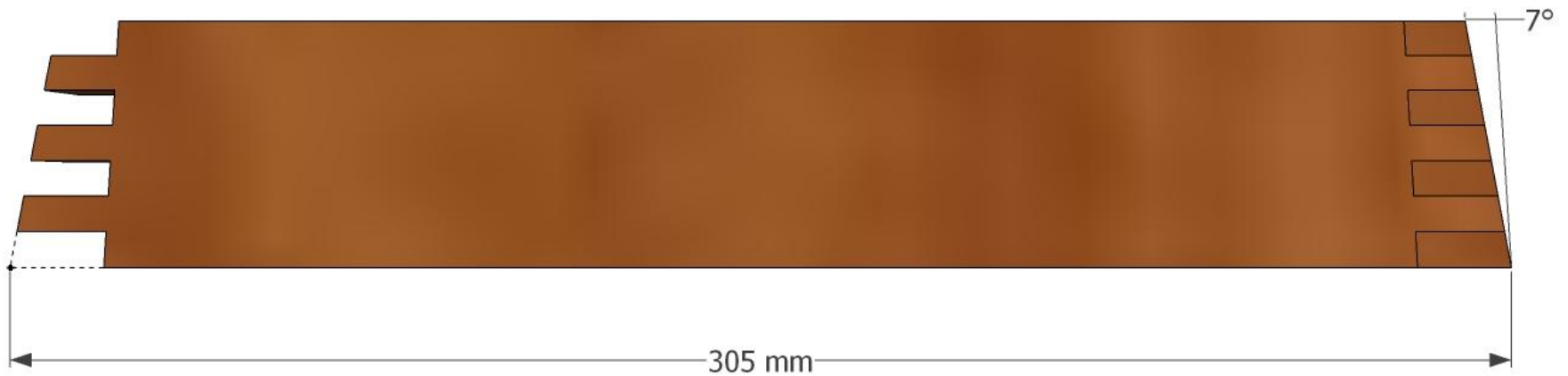
*Note Board Feet quantities have been rounded up to the nearest board foot

Description	Type	Qty
6mm Plywood	Species 1	1/4 Sheet
Hinges	Brusso	1 pair
Lock	n/a	1 ea
Glass (cut to fit)	3/32"	1 ea

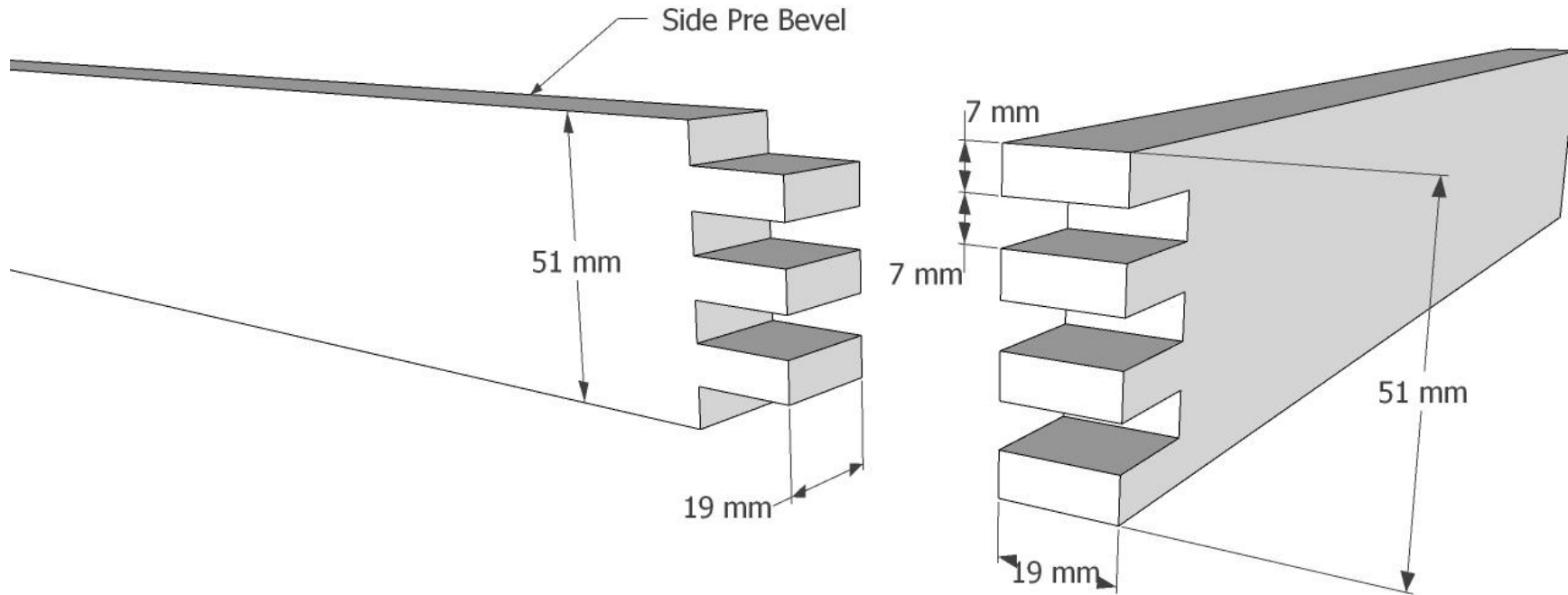
Exploded View



Side Detail



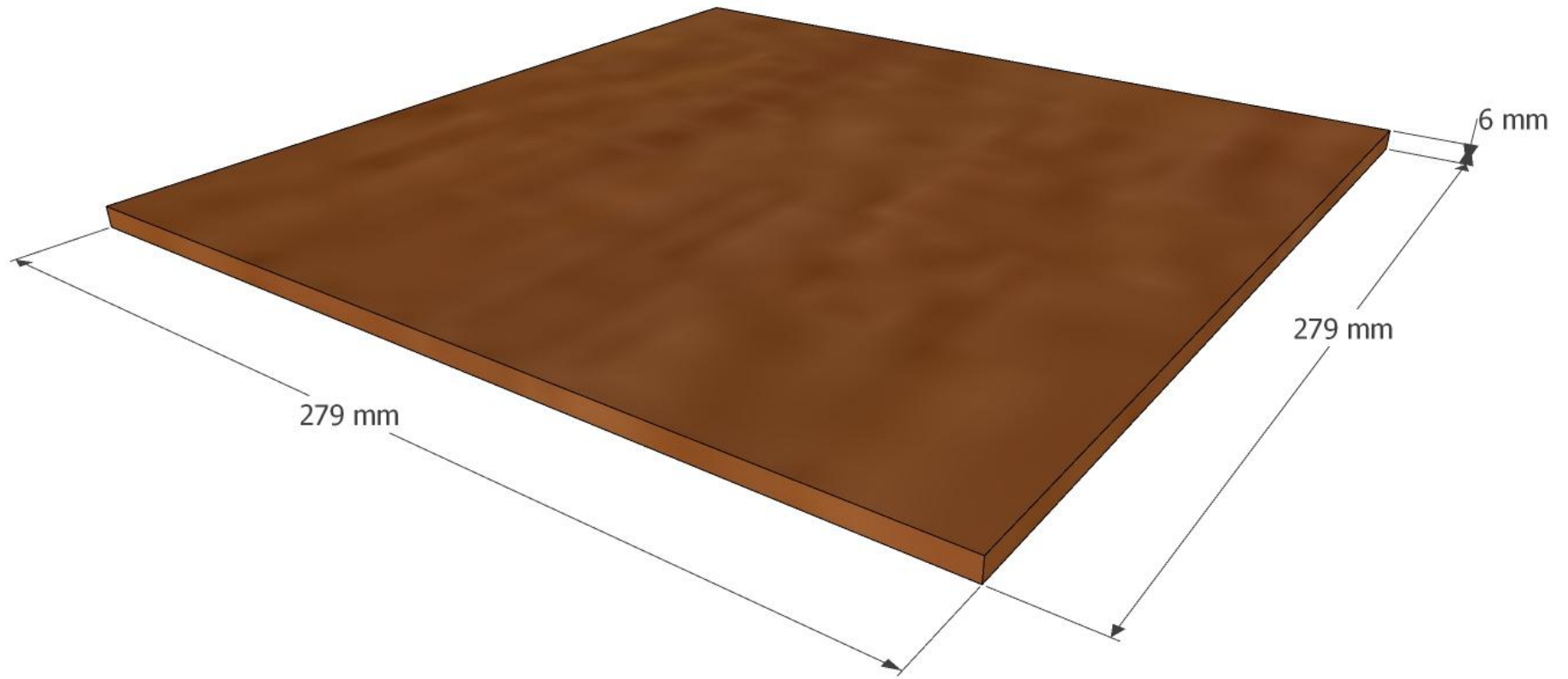
Box Joint Detail



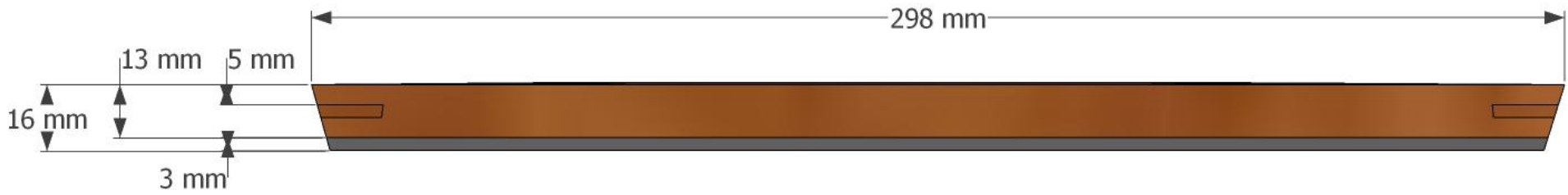
Side Dado Detail



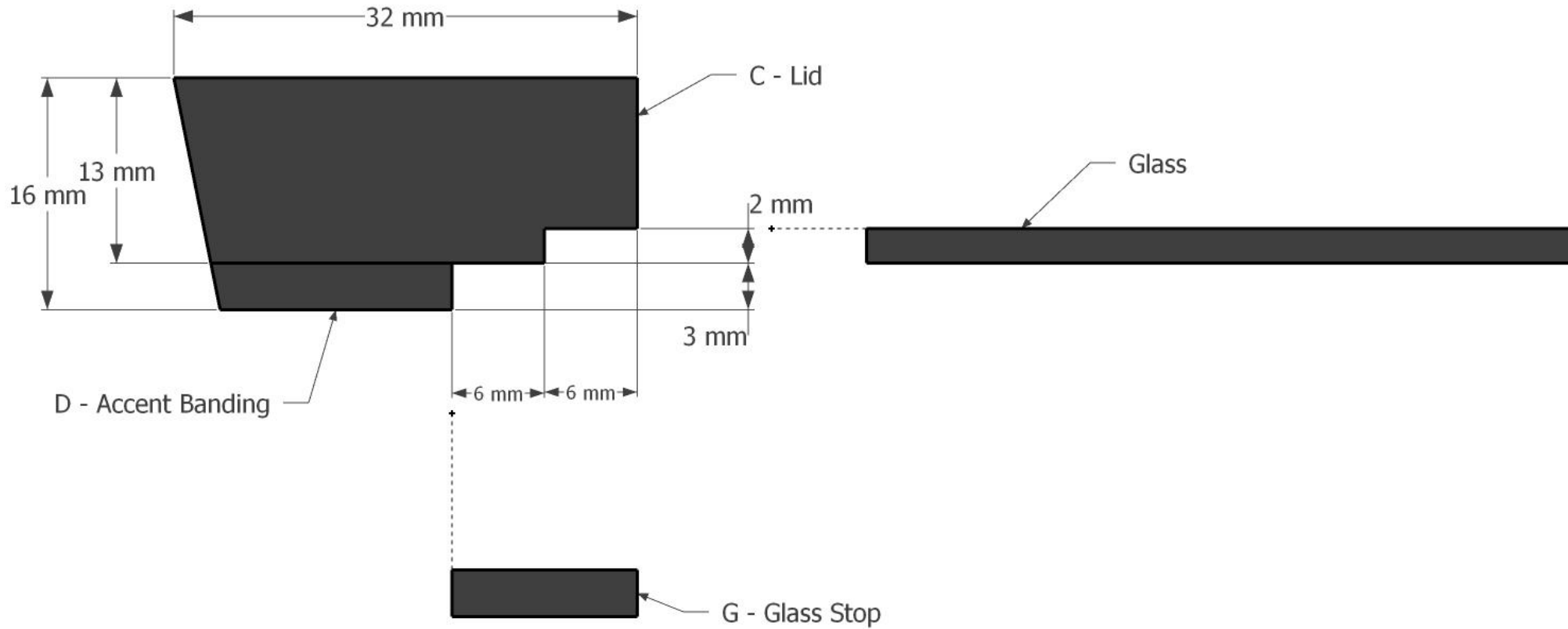
Bottom Detail



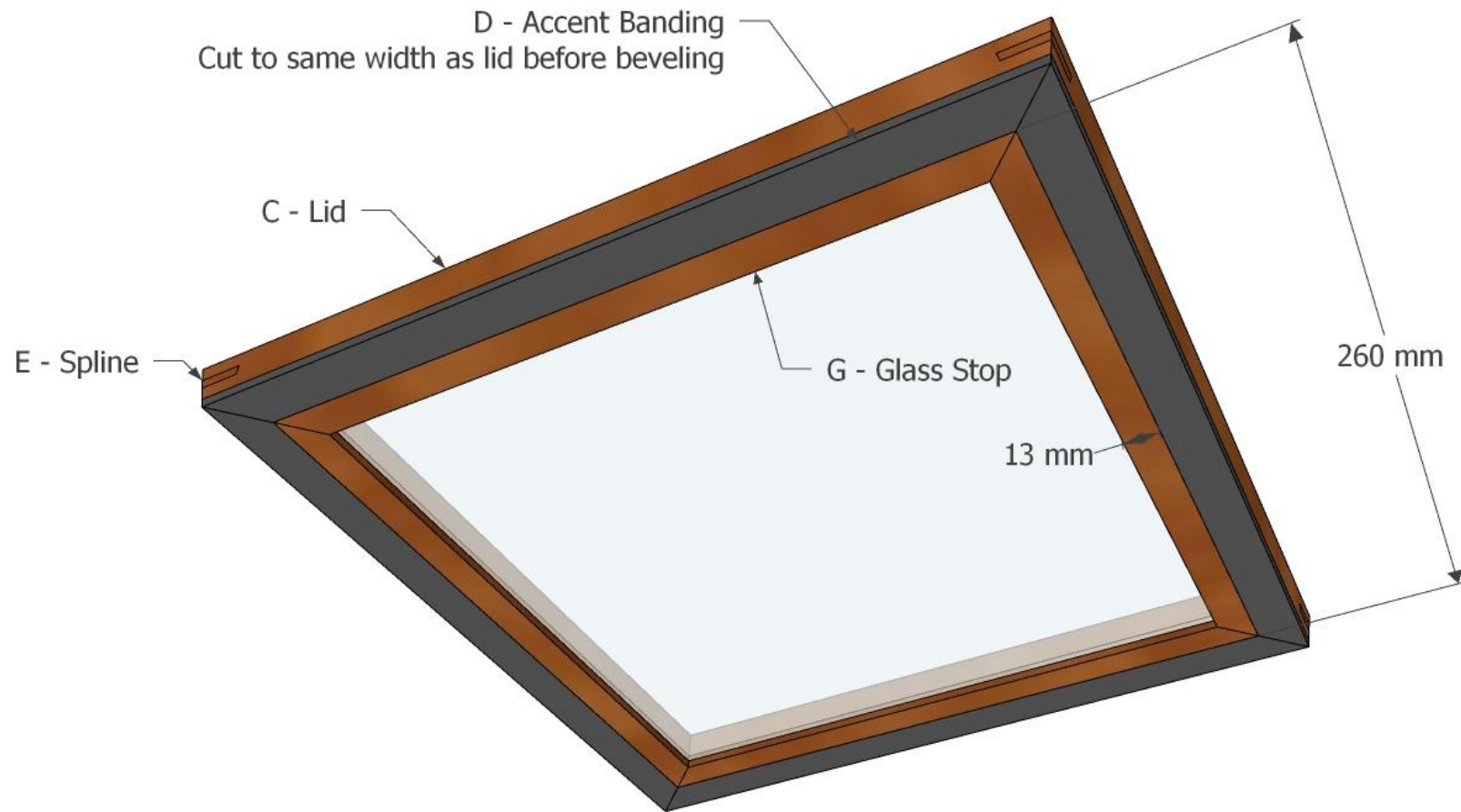
Lid Detail



Lid Dado Detail - Cross Section



Lid Assembly



Rack Detail

