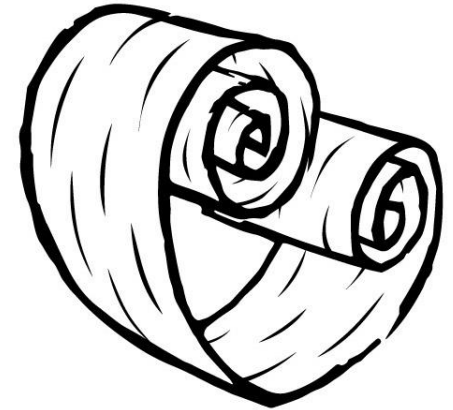
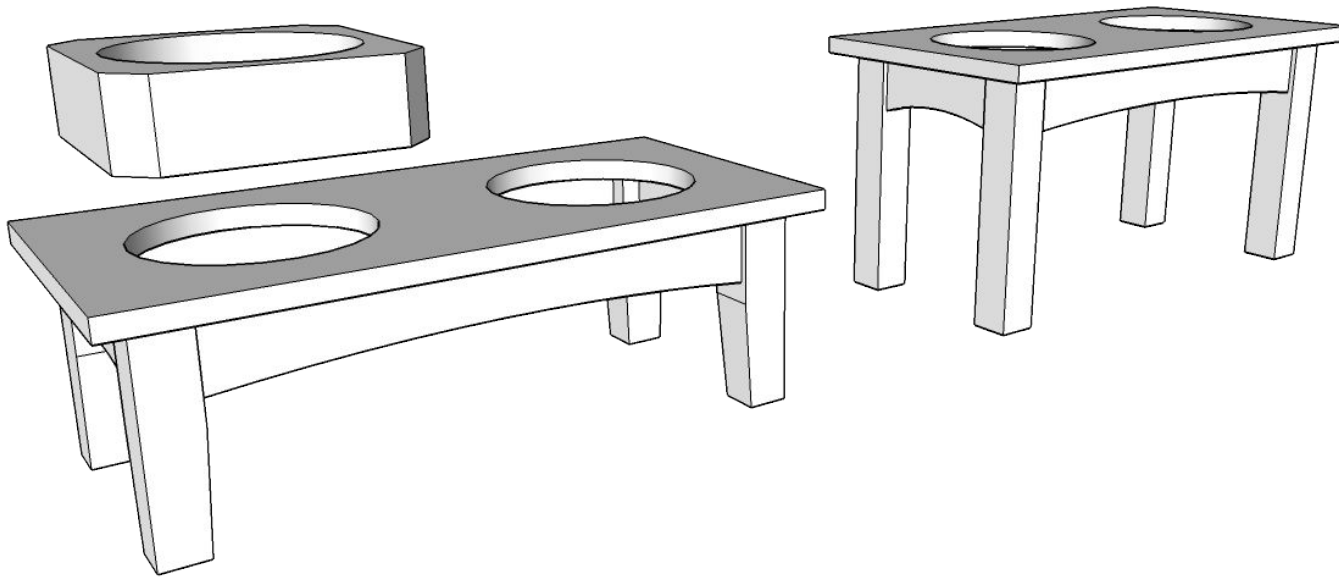




Elevated Dog Bowl



WOODWORKERS
FIGHTING
CANCER

Design: Marc Spagnuolo
Plans: Marc Spagnuolo & Brian Benham
Copyright © 2019, The Wood Whisperer, Inc. TheWoodWhisperer.com
Version 1

Cut List

Part ID	Part Description	Material	QTY	Width	Length	Thickness
A	Top	4/4 Hardwood	1	12"	24"	3/4"
B	Riser	12/4 Hardwood	1	9"	9"	2 3/4"
C	Leg	8/4 Hardwood	4	1 3/4"	7 1/4"	1 3/4"
D	Short Apron	4/4 Hardwood	2	2 1/2"	6 1/2"	3/4"
E	Long Apron	4/4 Hardwood	2	2 1/2"	18 1/2"	3/4"



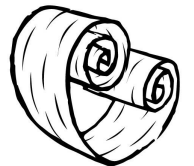
Materials List

Description	Type	Approximate BF	+ 20%
4/4 Hardwood	Species 1	4	5
8/4 Hardwood	Species 1	1	2
10/4 Hardwood	Species 1	2	3

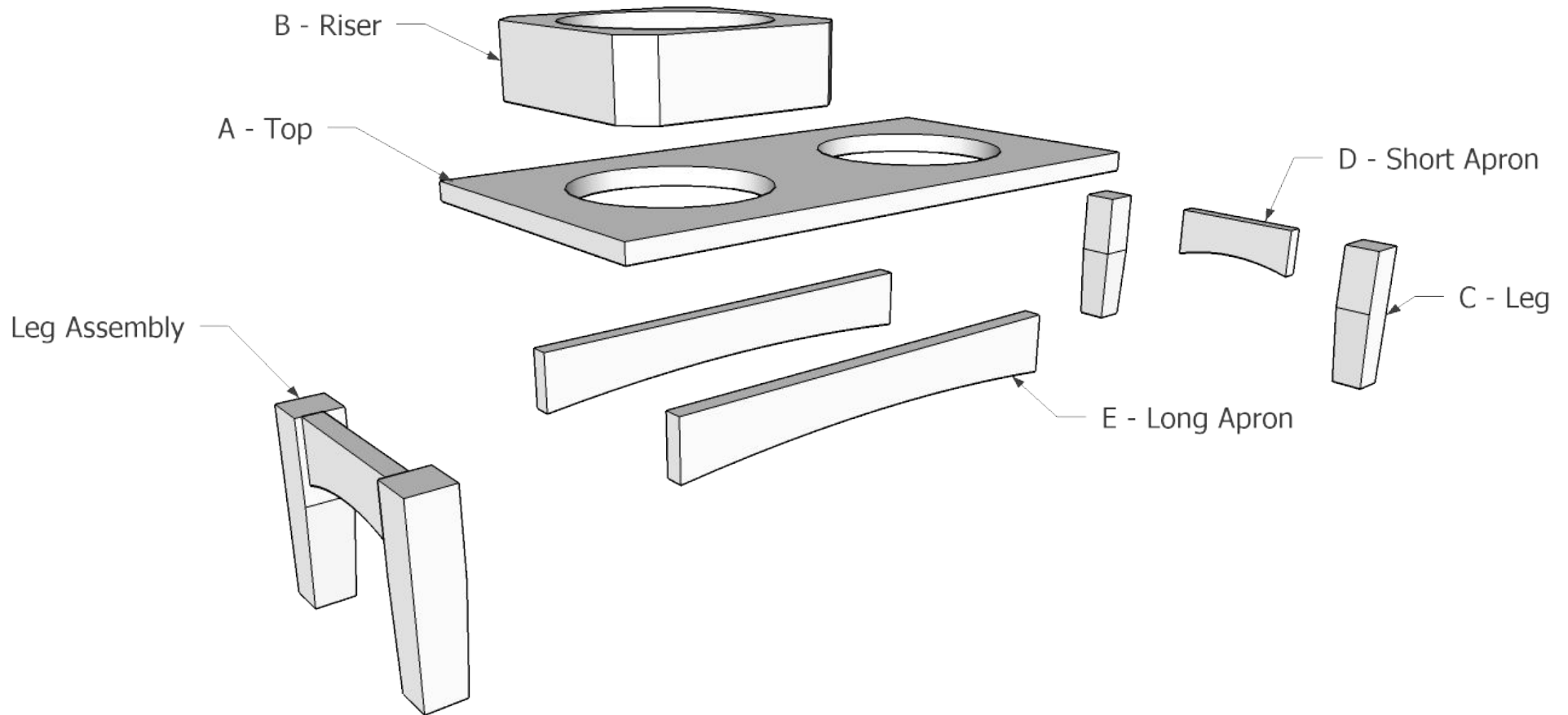
Note: Board Feet quantities have been rounded up to the nearest board foot

Description	Type	Qty
Magnets	n/a	16-20

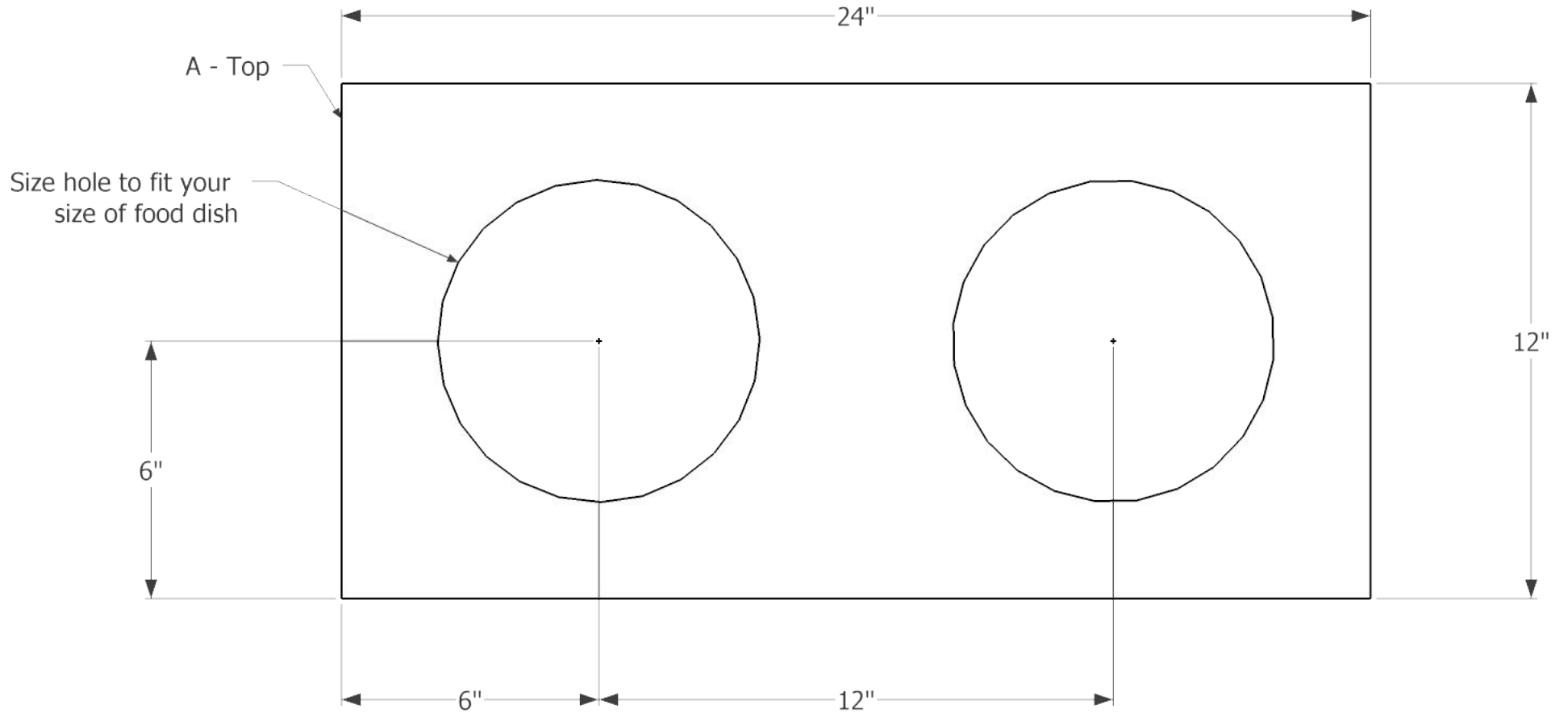
Note: You can Substitute 8/4 for 12/4, you will need to add 2 additional board feet to your 8/4 total



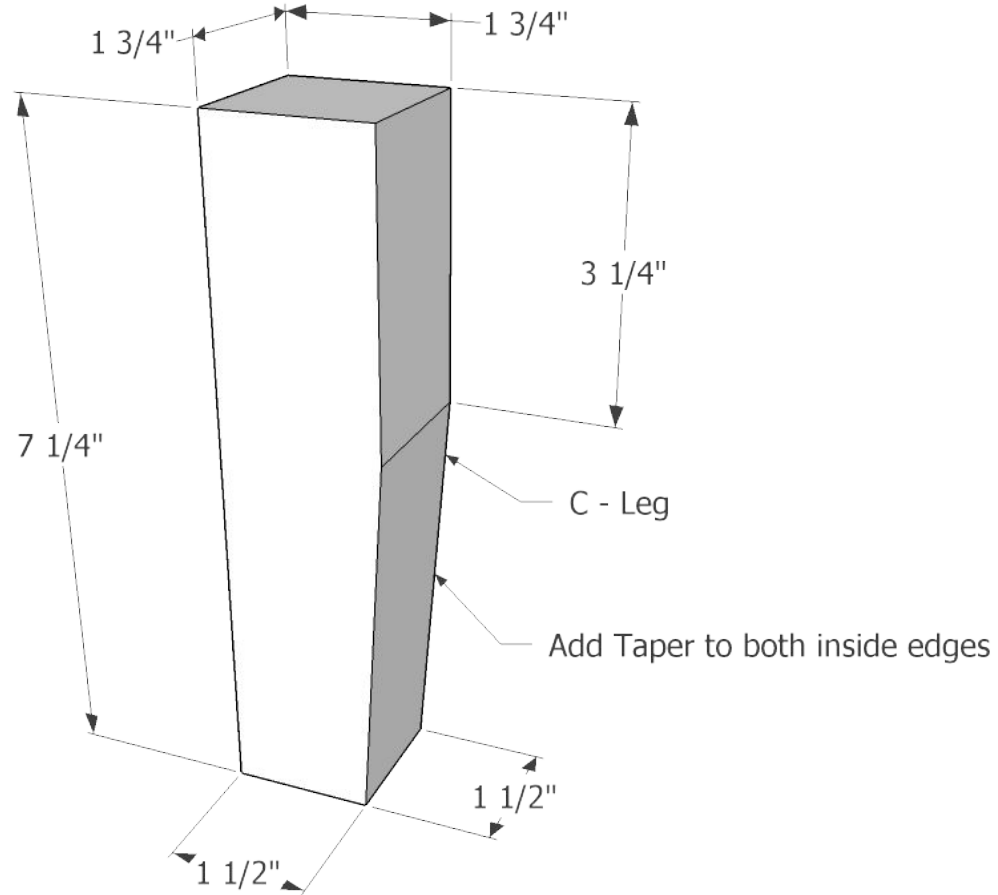
Exploded View



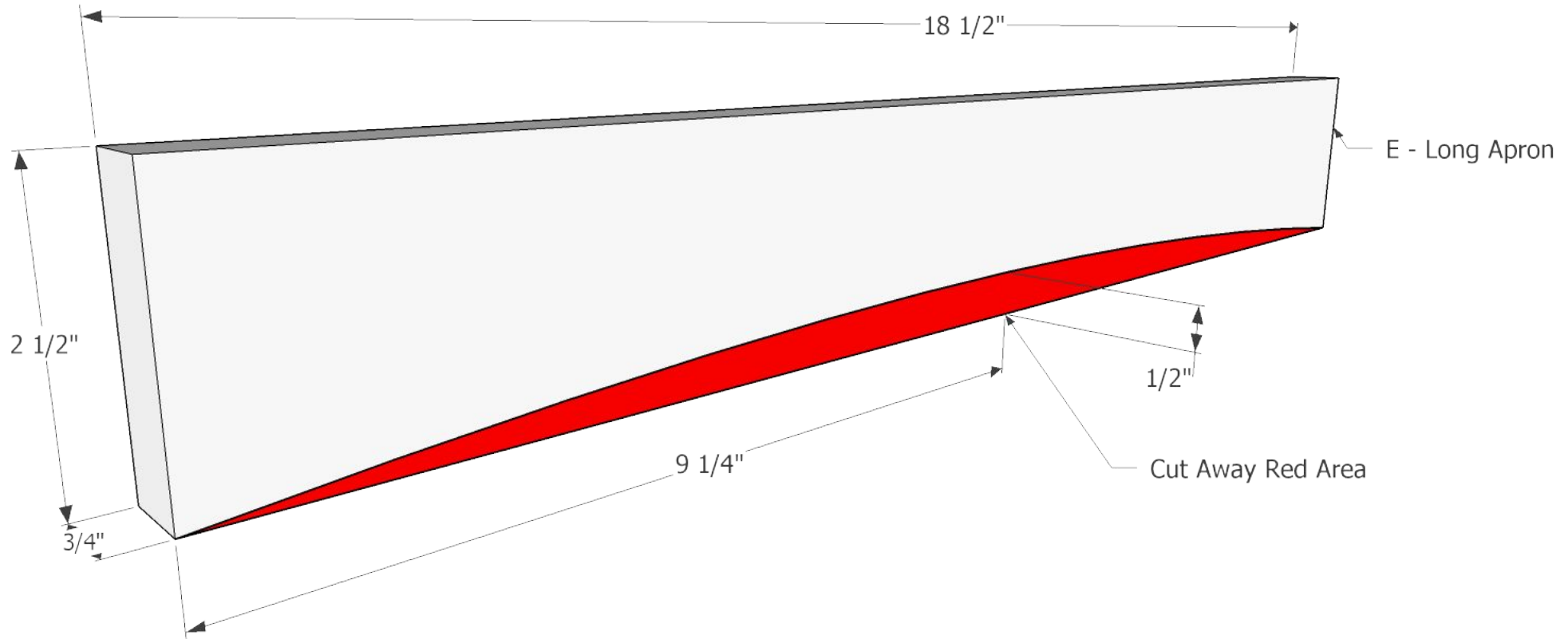
Bowl Placement



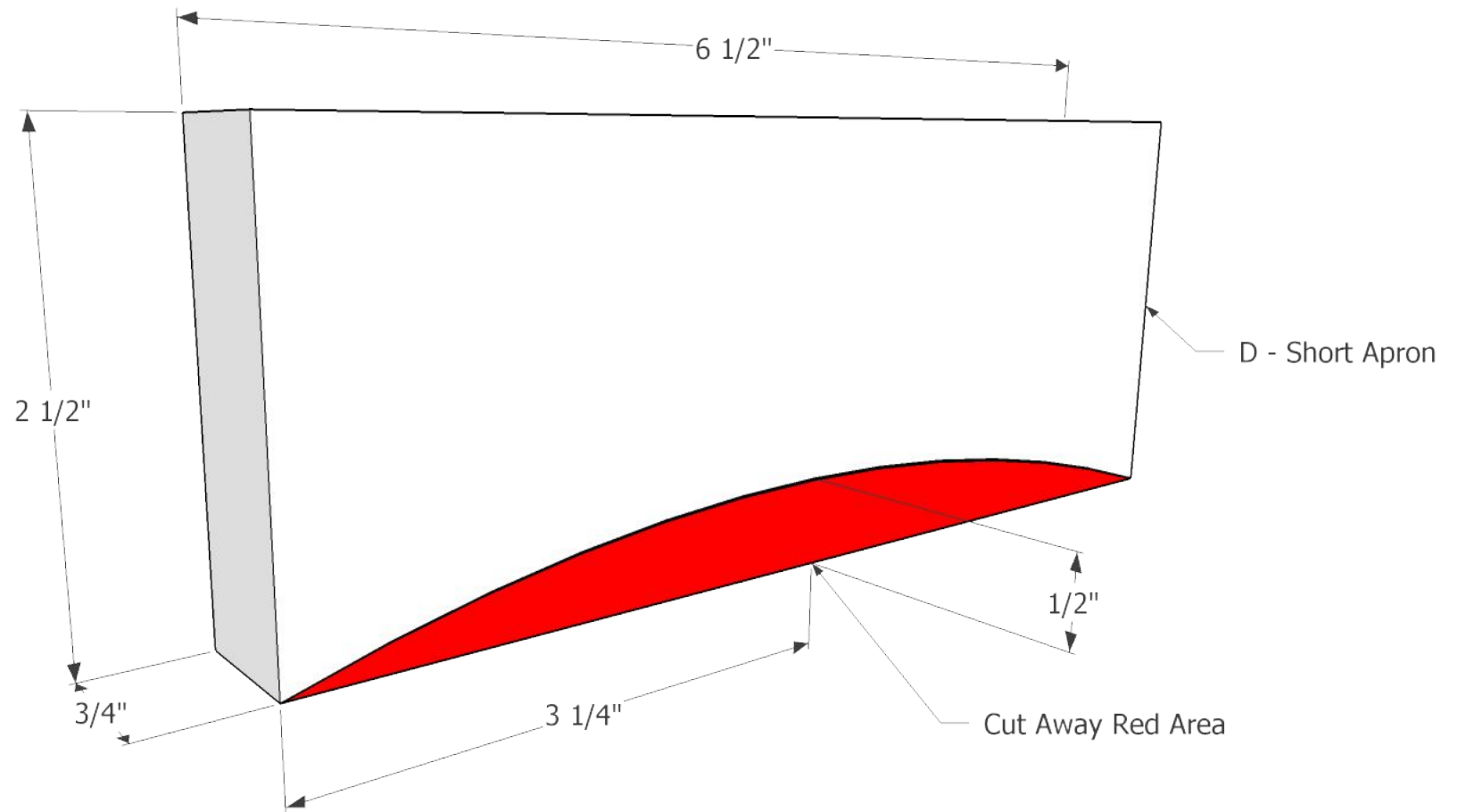
Leg Detail



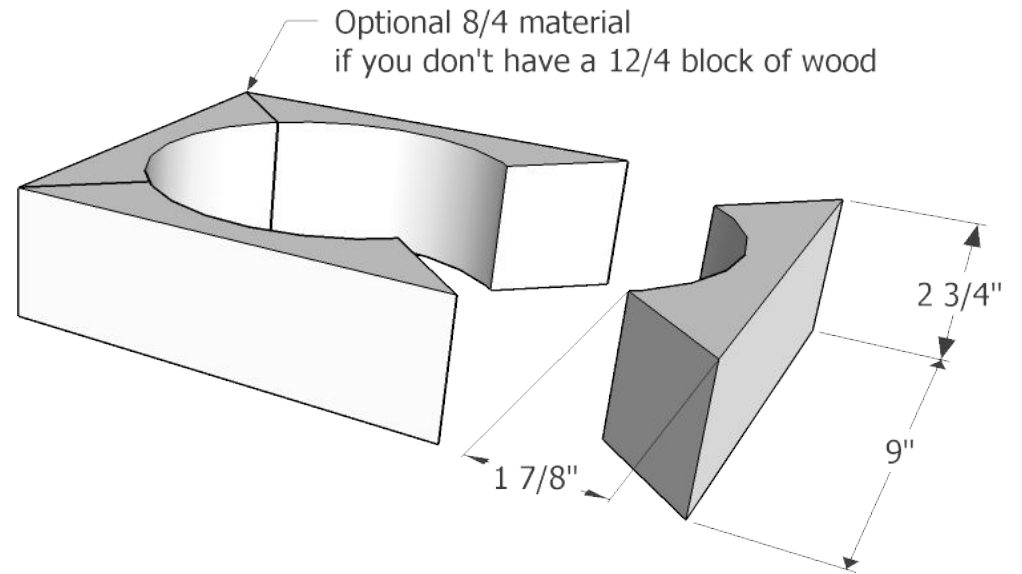
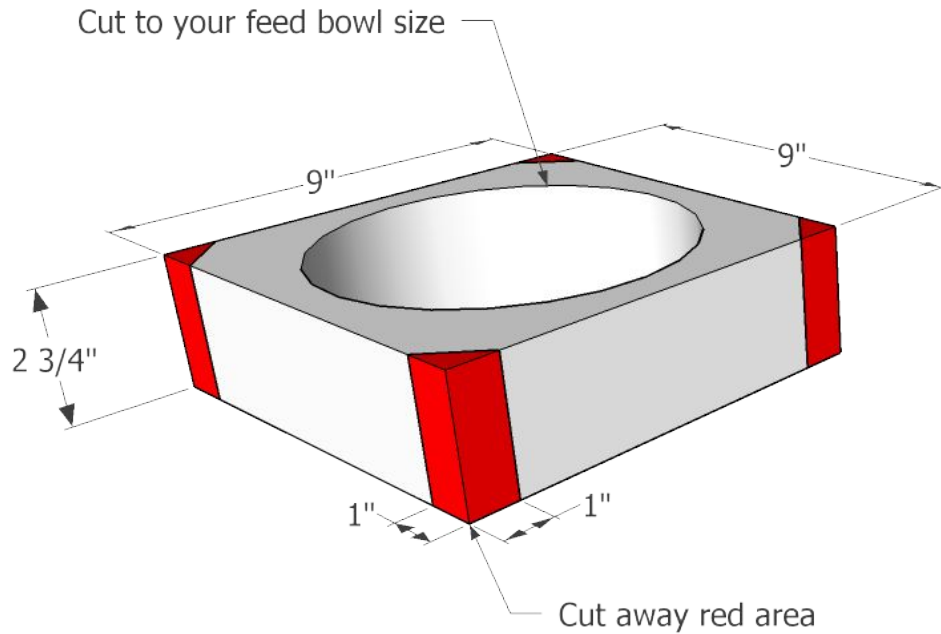
Long Apron Detail



Short Apron Detail



Riser Block Detail



Tall Dog Option

