

Backlit LED Poster Frame Light Box



A great way to showcase your favorite posters featuring LED back-lighting.

Design: Marc Spagnuolo
Plans: Marc Spagnuolo & Brian Benham
Copyright © 2019, The Wood Whisperer, Inc. TheWoodWhisperer.com
Version 1



TWW[®]

Cut List

Part ID	Part Description	Material	QTY	Width	Length	Thickness
A	Top/Bottom	4/4 Hardwood	2	102mm	686mm	19mm
B	Side	4/4 Hardwood	2	102mm	1035mm	19mm
C	Back	6mm Plywood	1	686mm	1016mm	6mm
D	French Cleat	4/4 Hardwood	2	51mm	667mm	19mm

Materials List

5BF - 4/4 Hardwood (5BF ~net, 6BF with 20% waste added)*

1ea - Dowels sized to your counter sink bit.

4ea - Knock down hardware

2ea - Plexiglass ~3mm thick 686mm x 1016mm

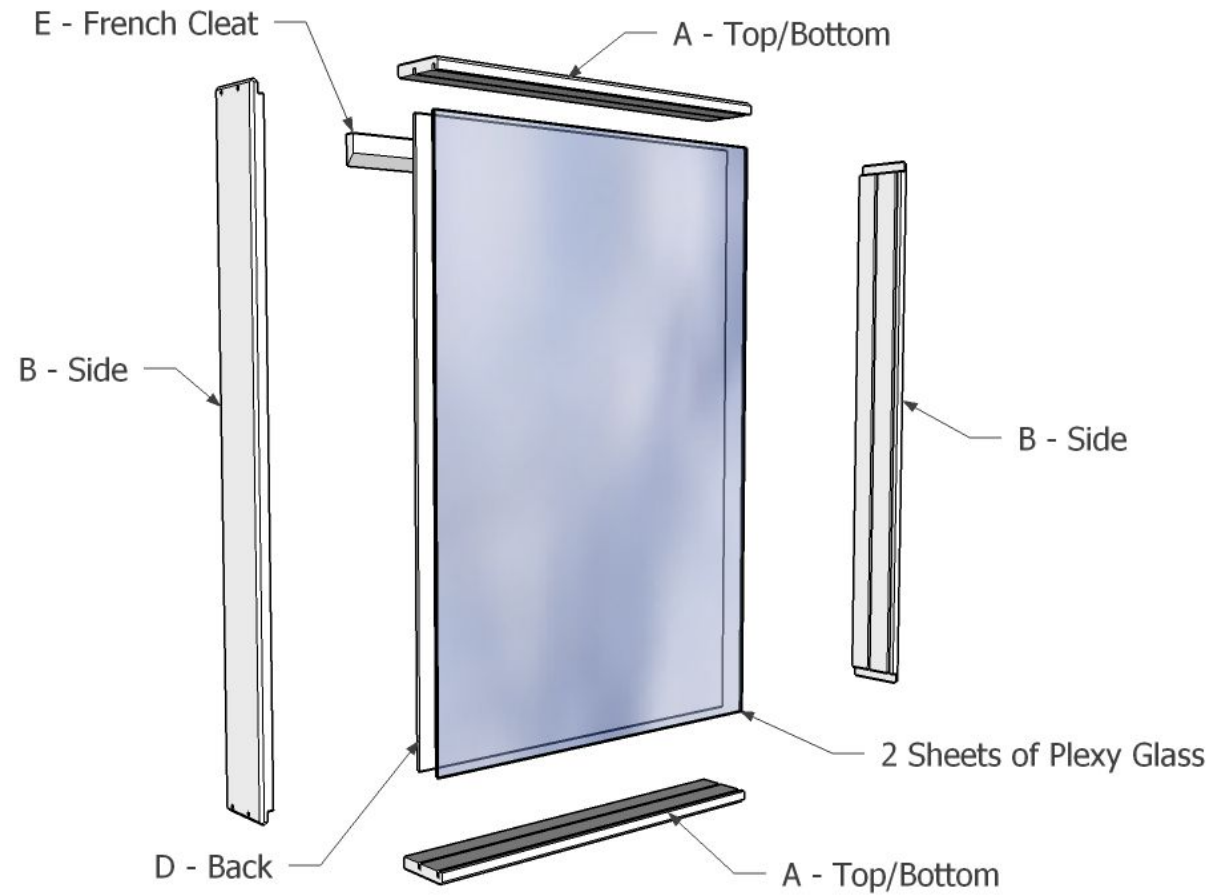
1ea - Half Sheet 6mm plywood

Assorted screws

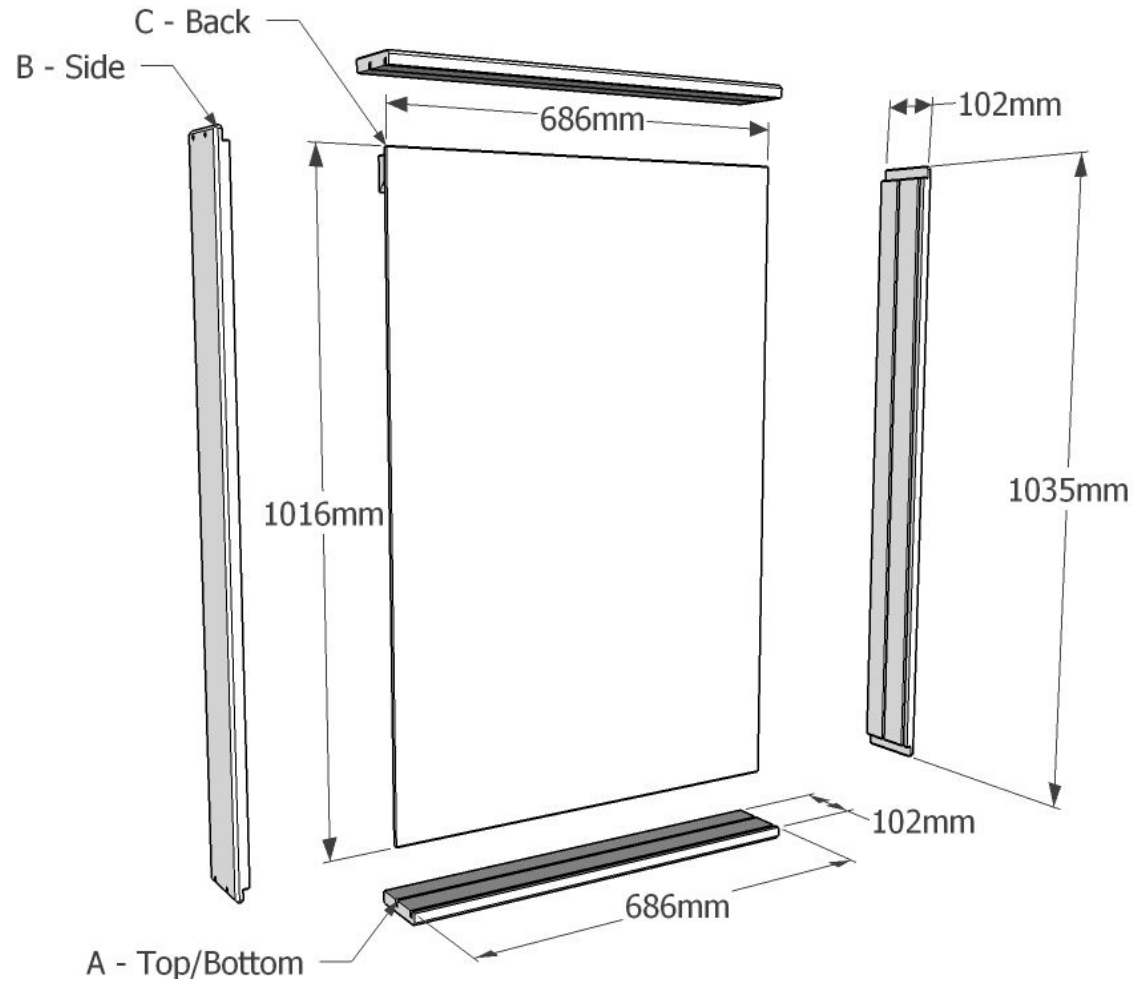
*Note Board Feet quantities have been rounded up to the nearest board foot

Note: These plans have been converted from Imperial measurements and rounded to the nearest mm. Use relative Dimensioning when needed.

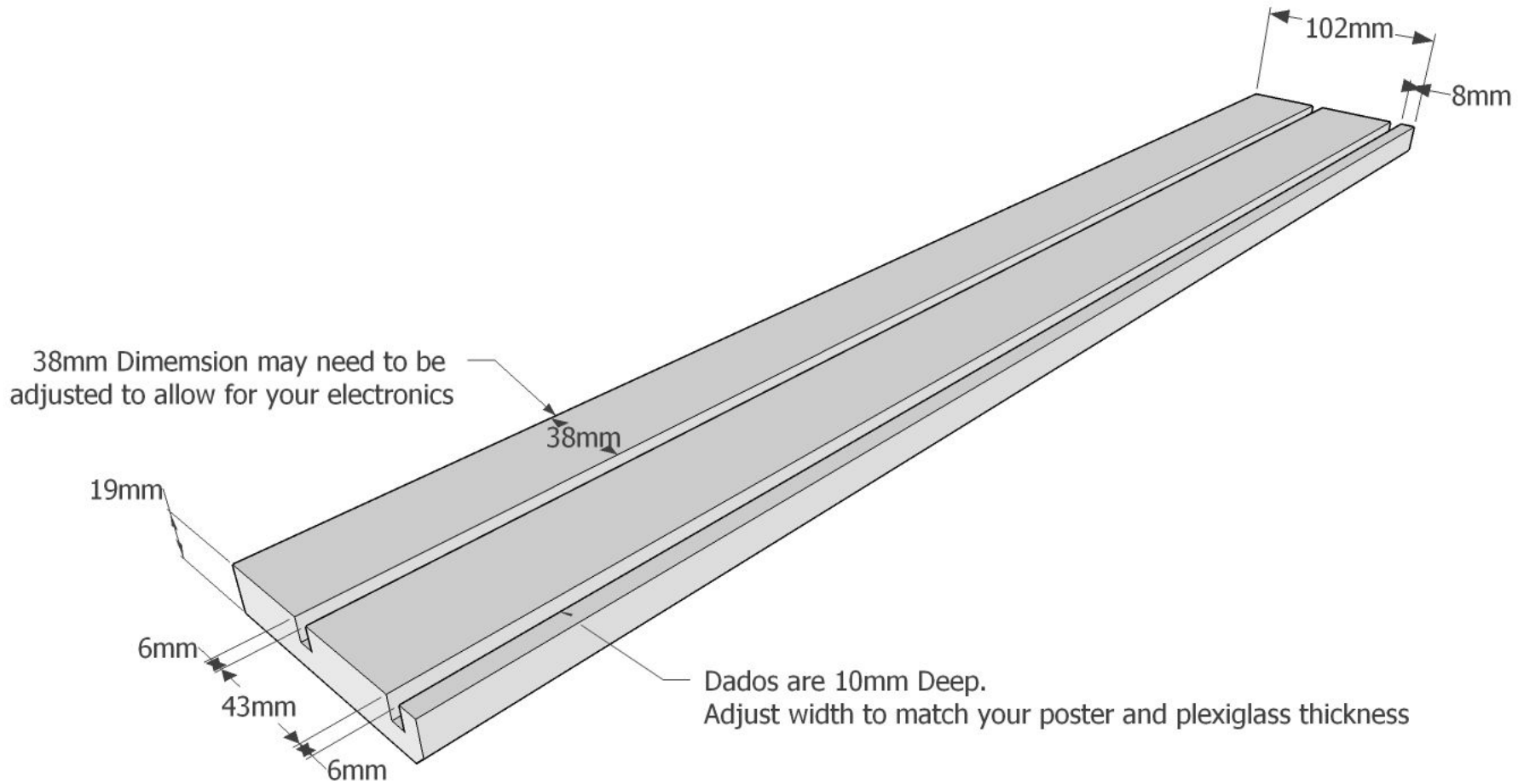
Exploded View



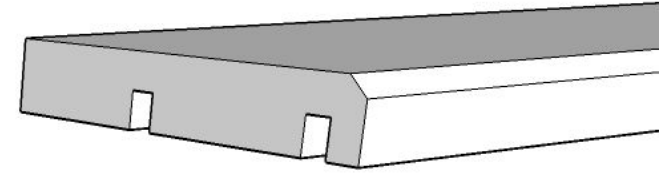
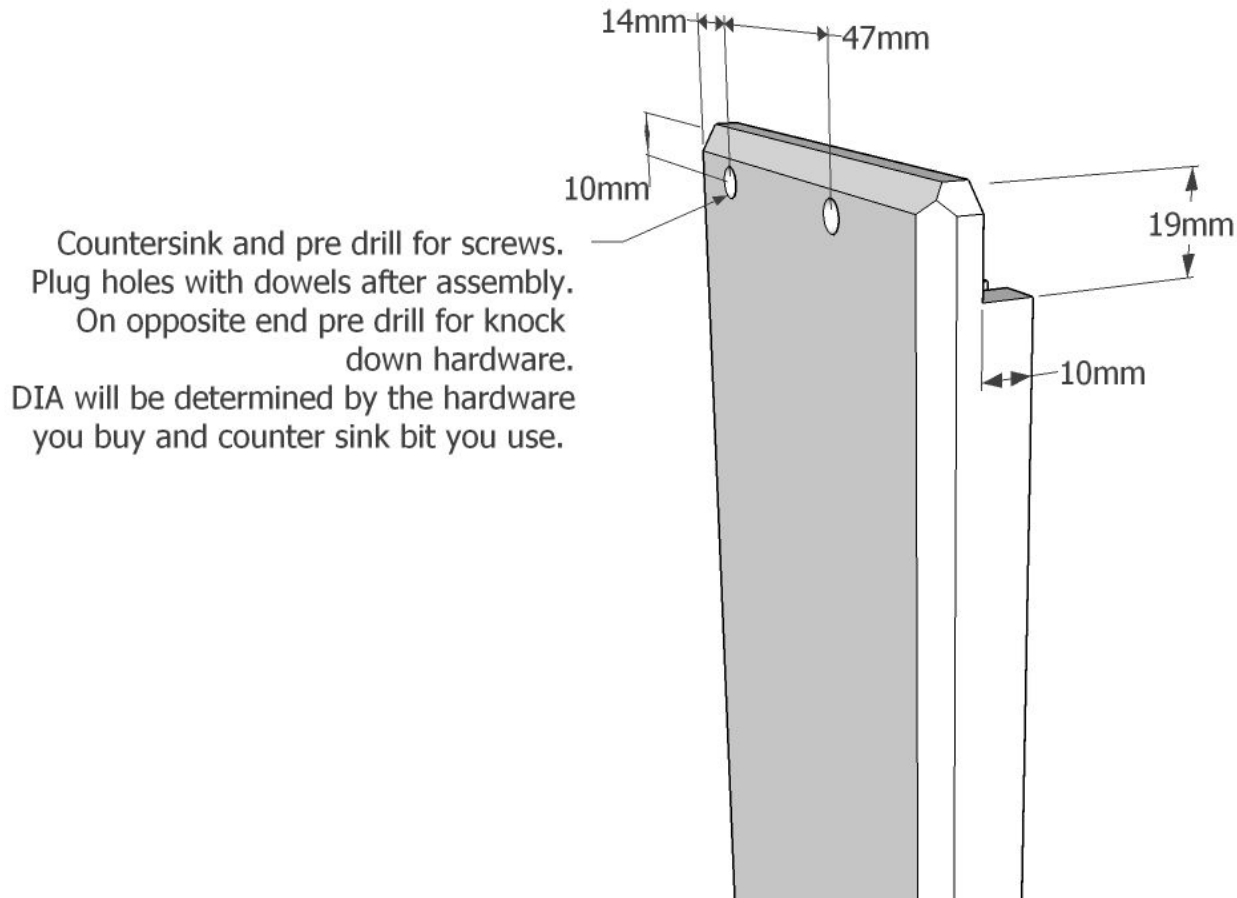
Overall Dimensions



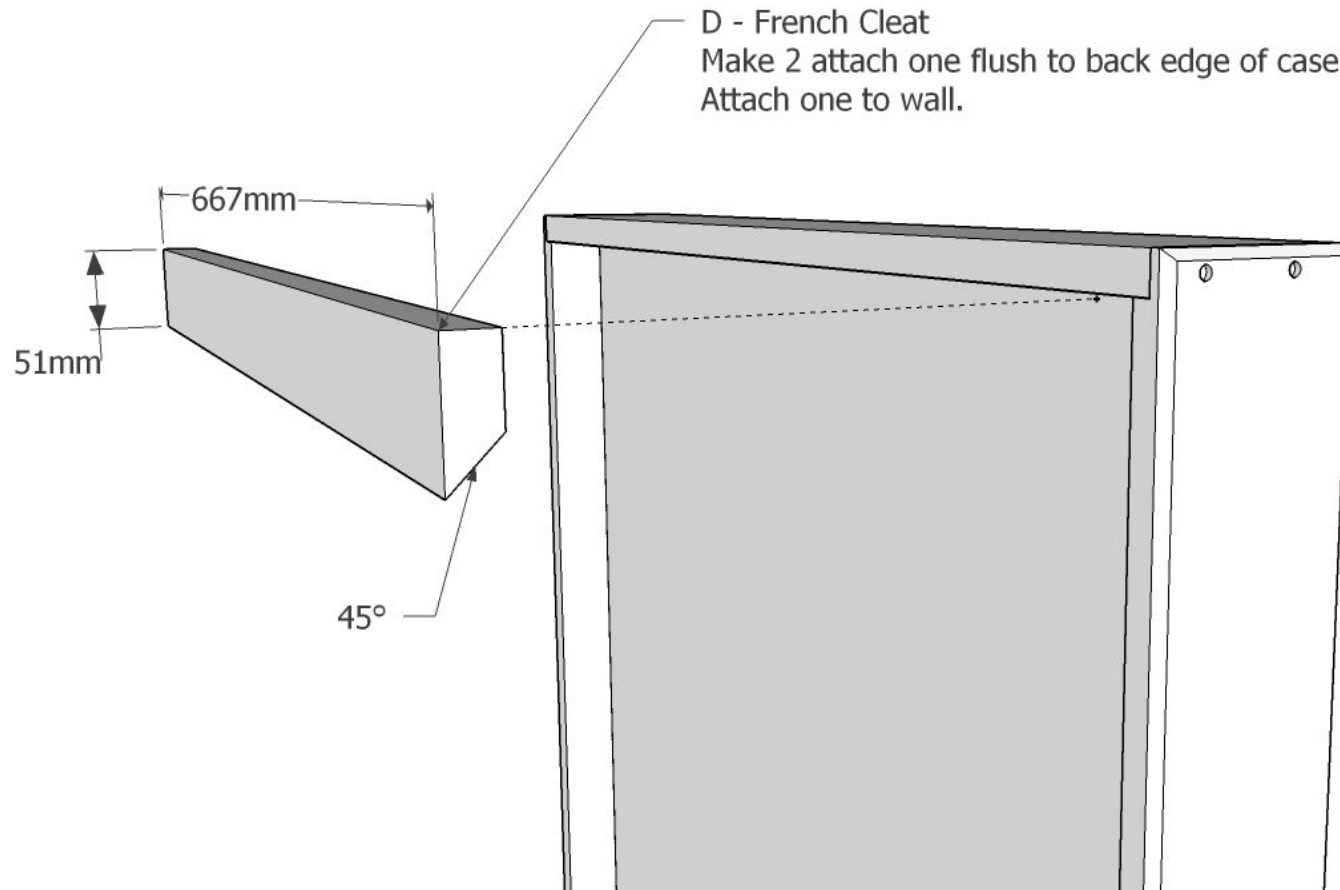
Dado Detail



Joinery Detail



French Cleat Assembly



Chamfer Detail

5mm Chamfer on edges as shown

