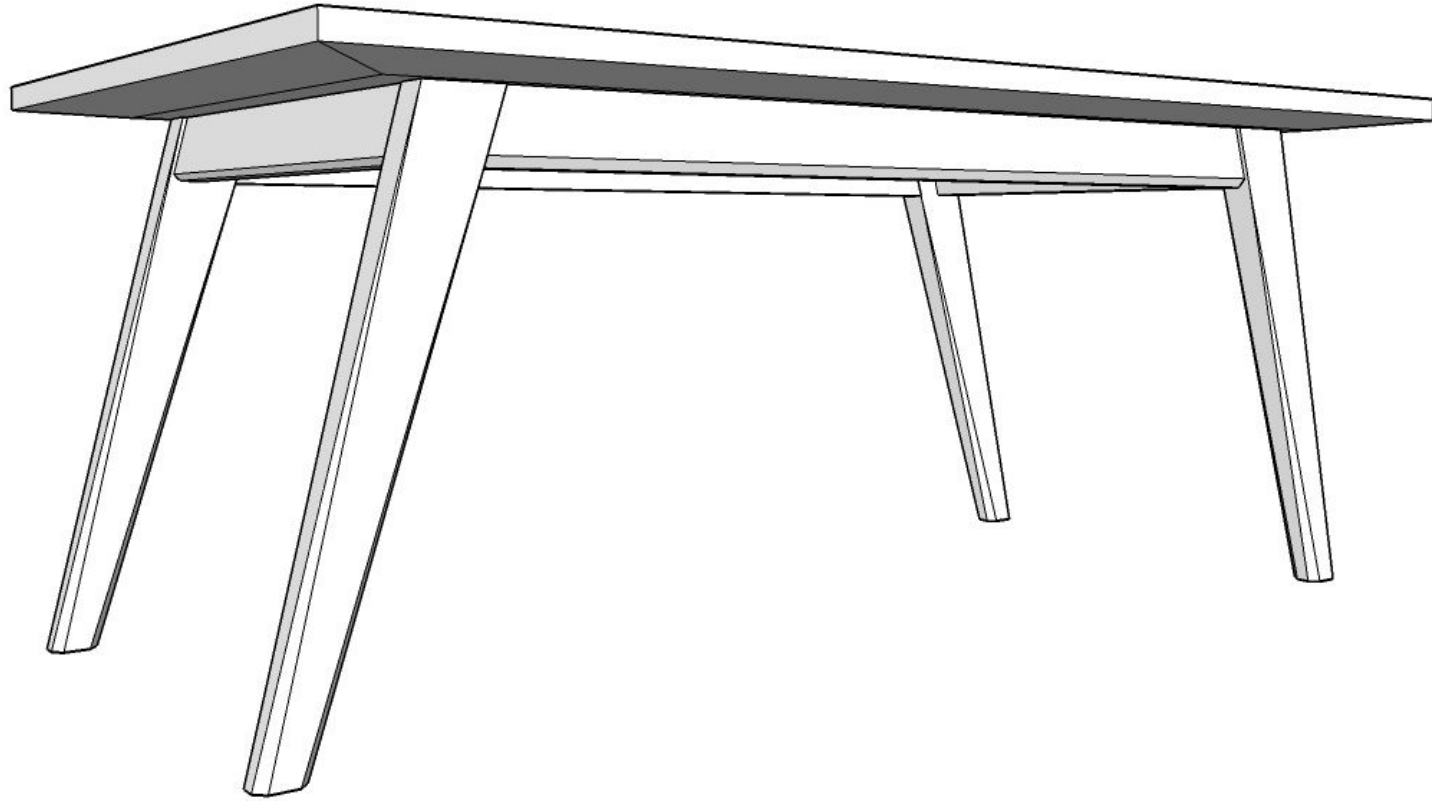


# MCM Dining Table



Design: Marc Spagnuolo  
Plans: Marc Spagnuolo & Brian Benham  
Copyright © 2019, The Wood Whisperer, Inc. [TheWoodWhisperer.com](http://TheWoodWhisperer.com)  
Version 1



**TWW**<sup>®</sup>

# Cut List

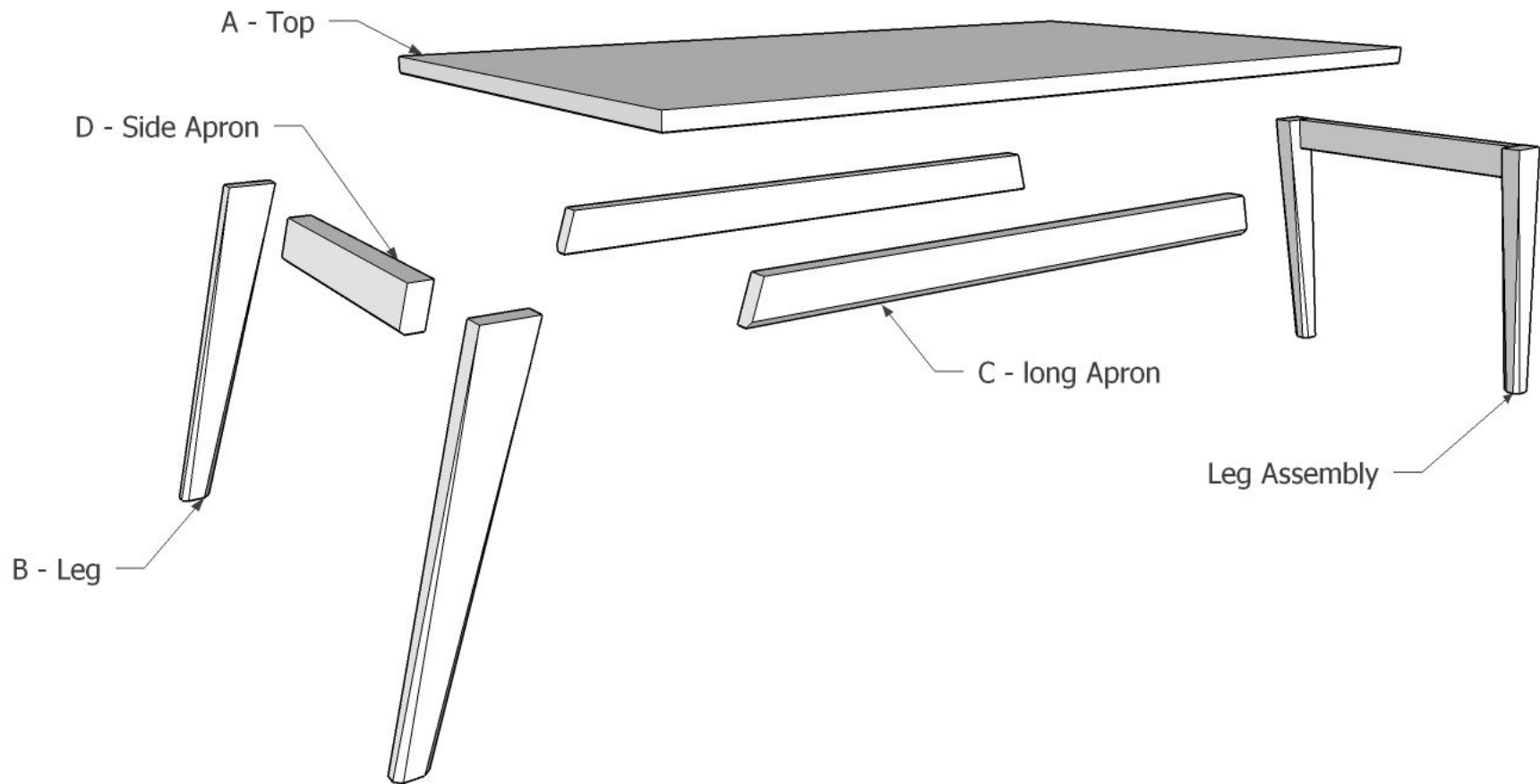
Part ID	Part Description	Material	QTY	Width	Length	Thickness
A	Top	8/4 Hardwood	1	1016mm	1829mm	44mm
B	Leg	8/4 Hardwood	4	102mm	743mm	44mm
C	Long Apron	8/4 Hardwood	2	89mm	1327mm	38mm
D	Side Apron	8/4 Hardwood	2	102mm	648mm	38mm

## Materials List

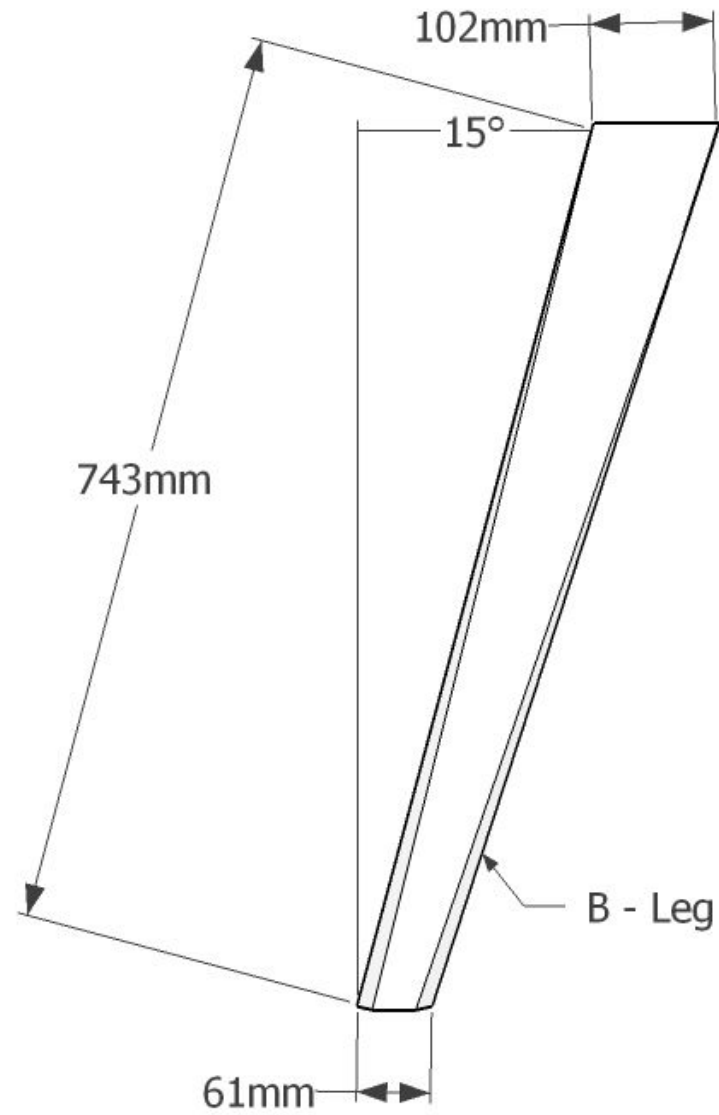
66BF - 8/4 Hardwood (55BF ~net, 66BF with 20% waste added)

Note Board Feet quantities have been rounded up to the nearest board foot

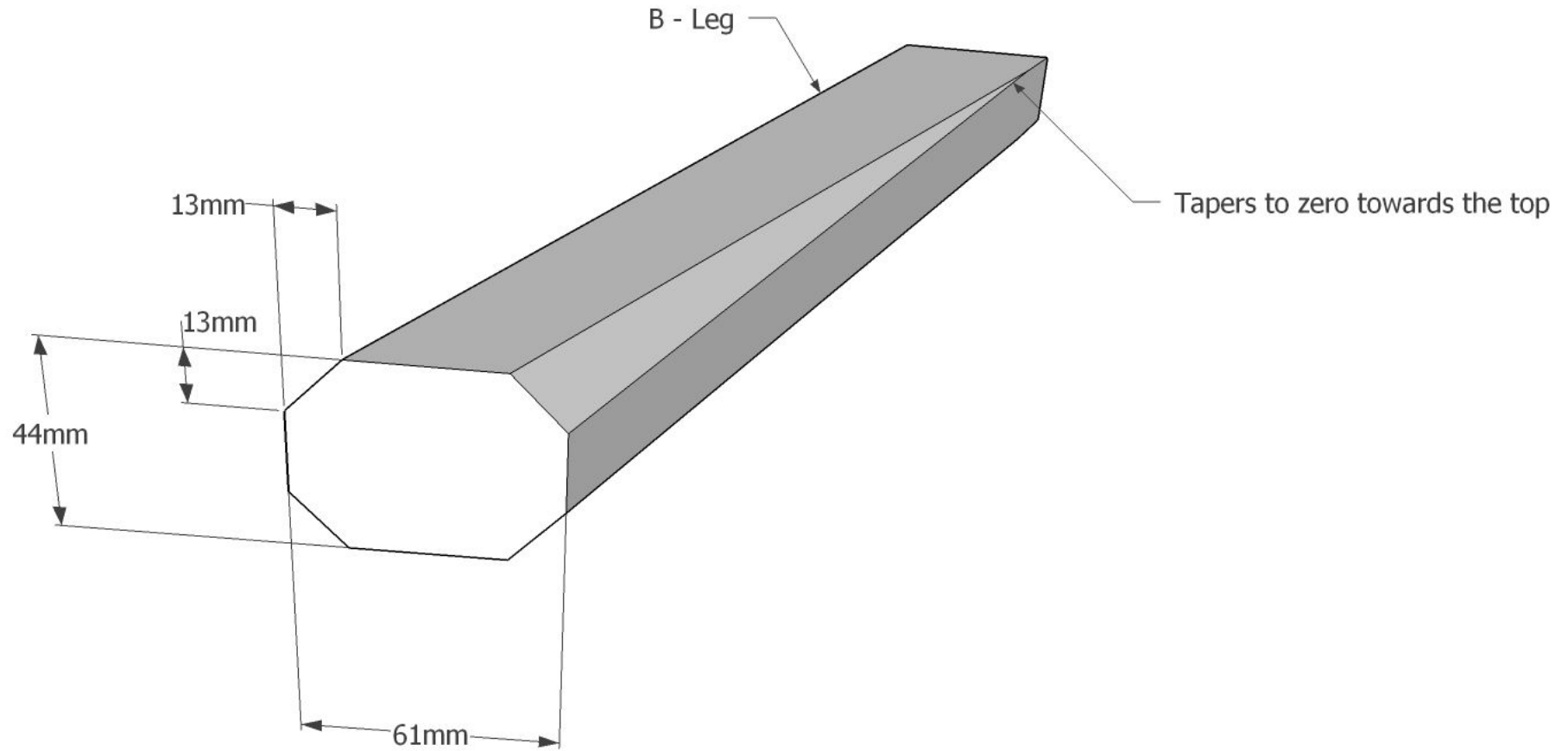
# Exploded View



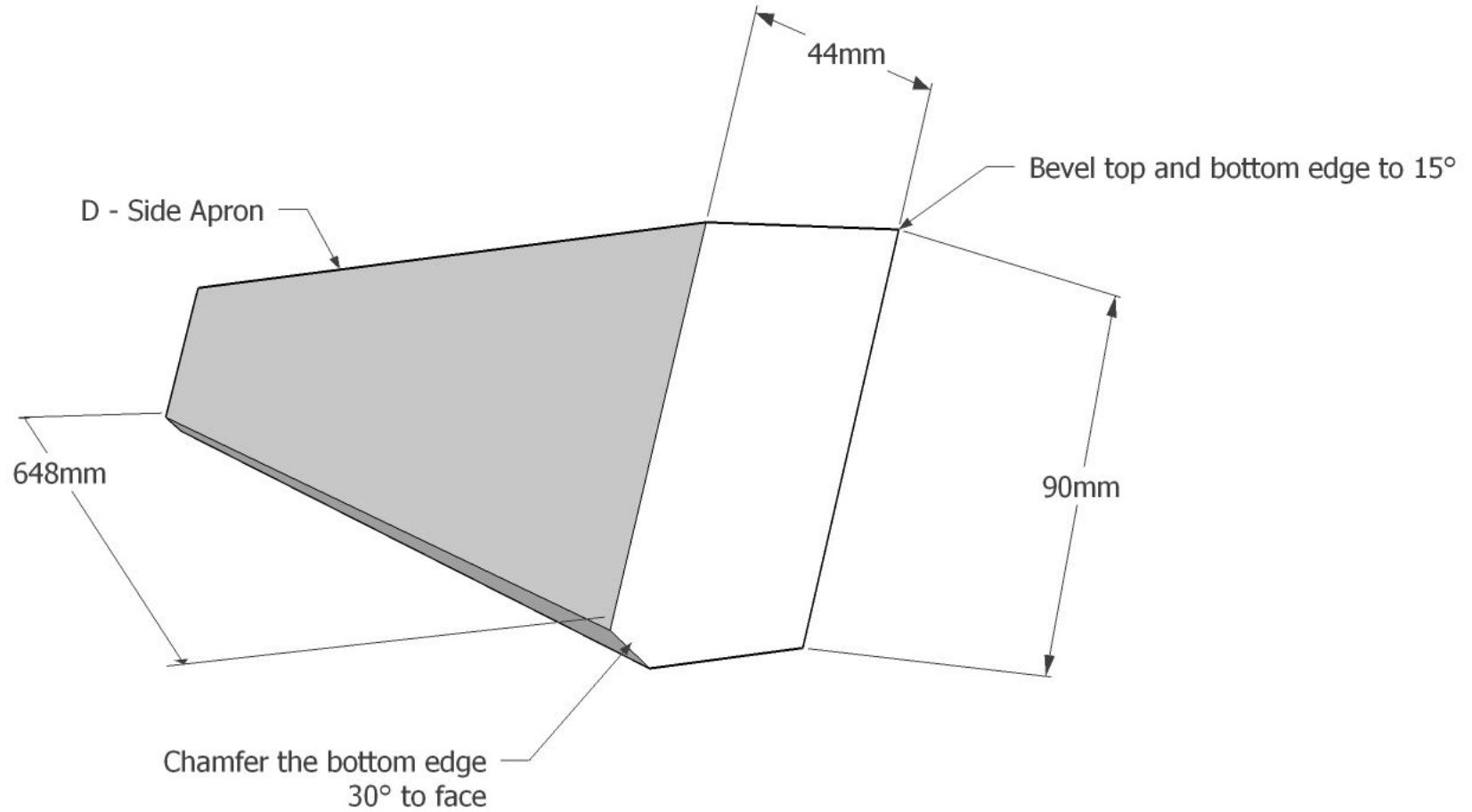
# Leg Detail



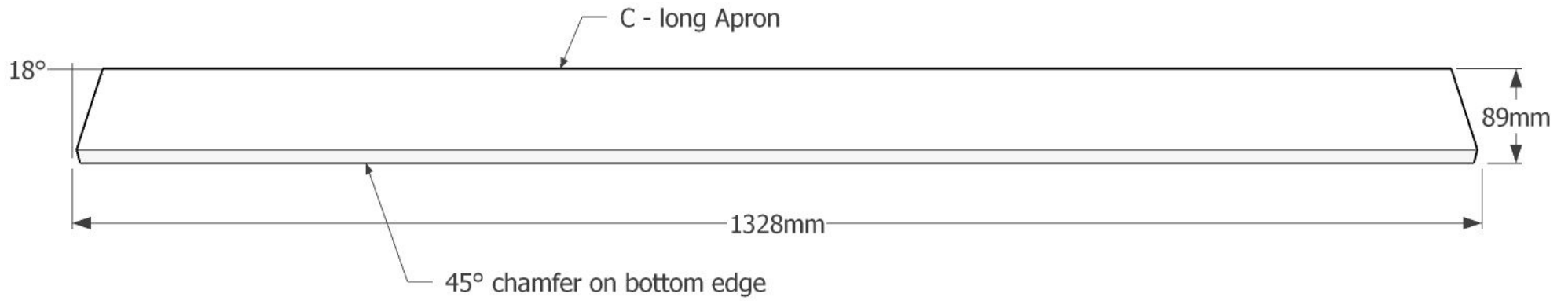
# Foot Detail



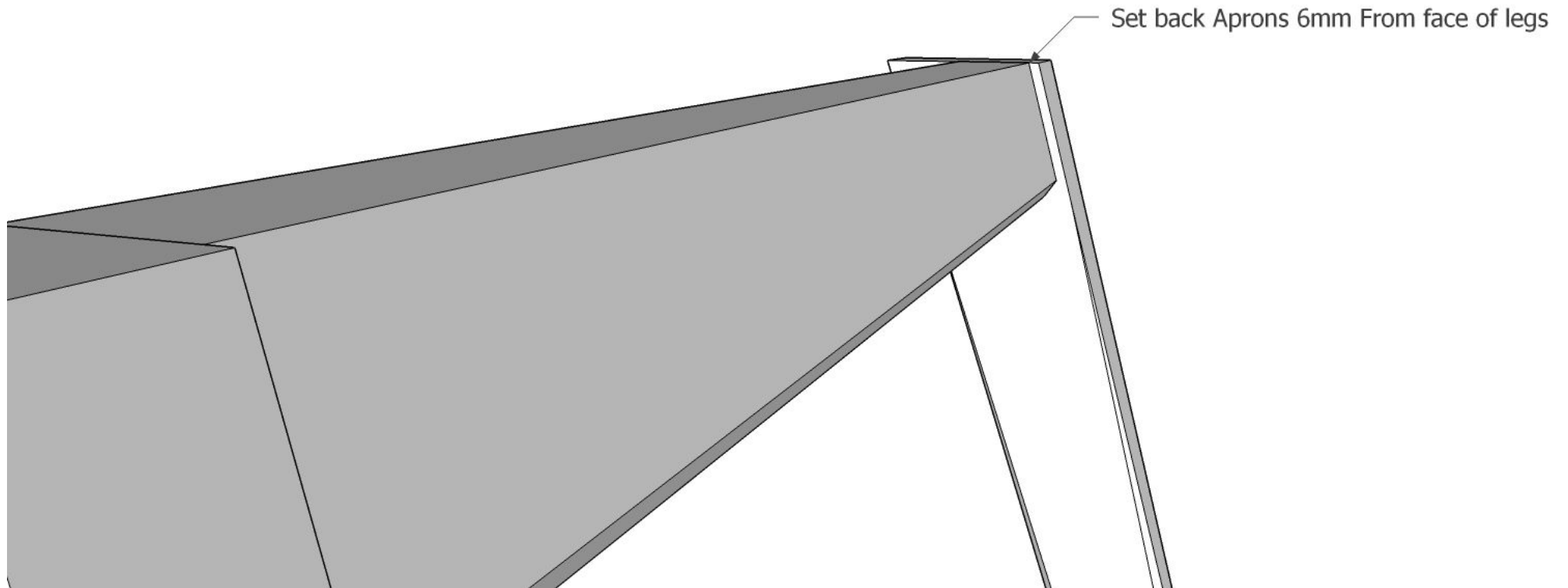
# Side Apron Detail



# Long Apron Detail



# Apron Set Back Detail





# Top Detail

