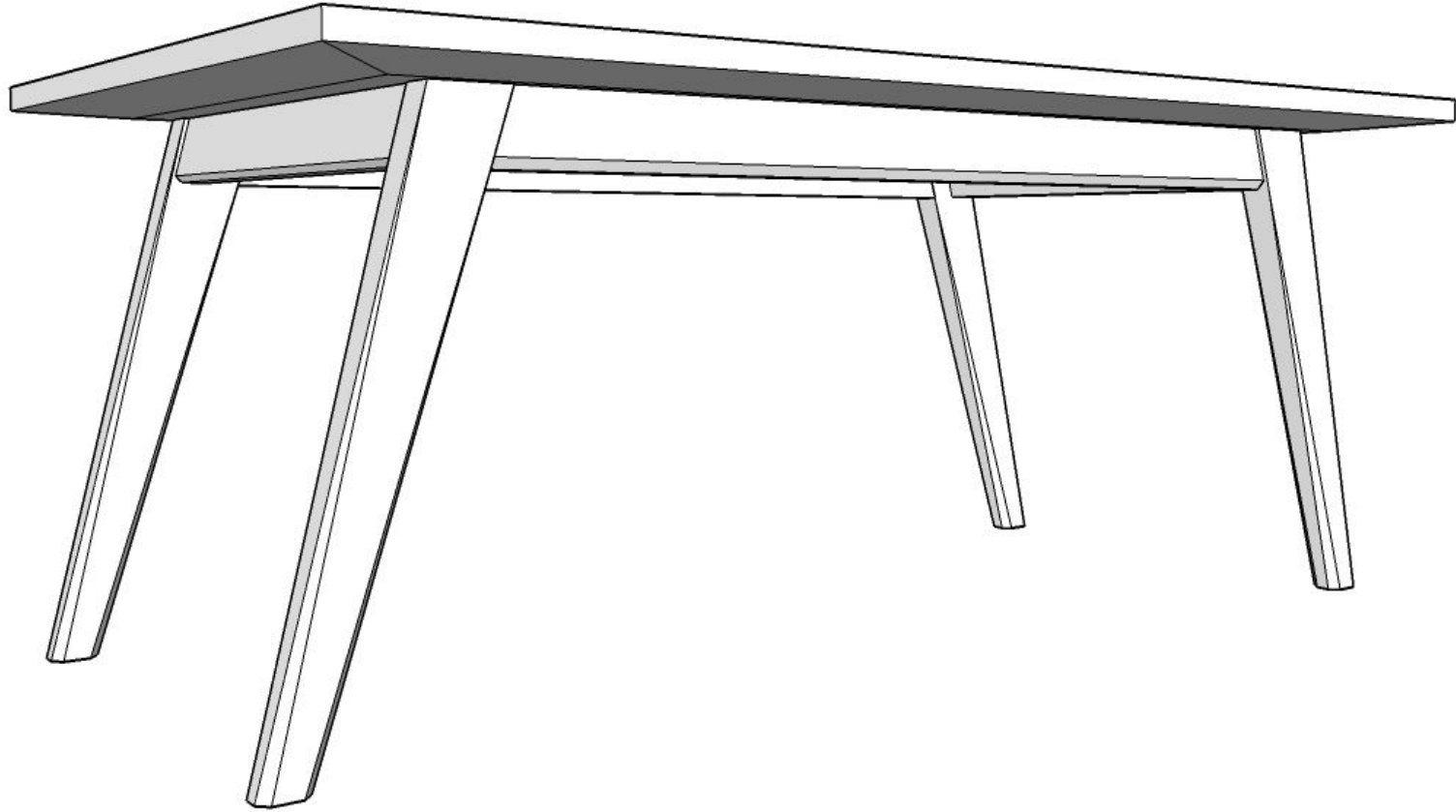


MCM Dining Table



Design: Marc Spagnuolo
Plans: Marc Spagnuolo & Brian Benham
Copyright © 2019, The Wood Whisperer, Inc. TheWoodWhisperer.com
Version 1



TWW[®]

Cut List

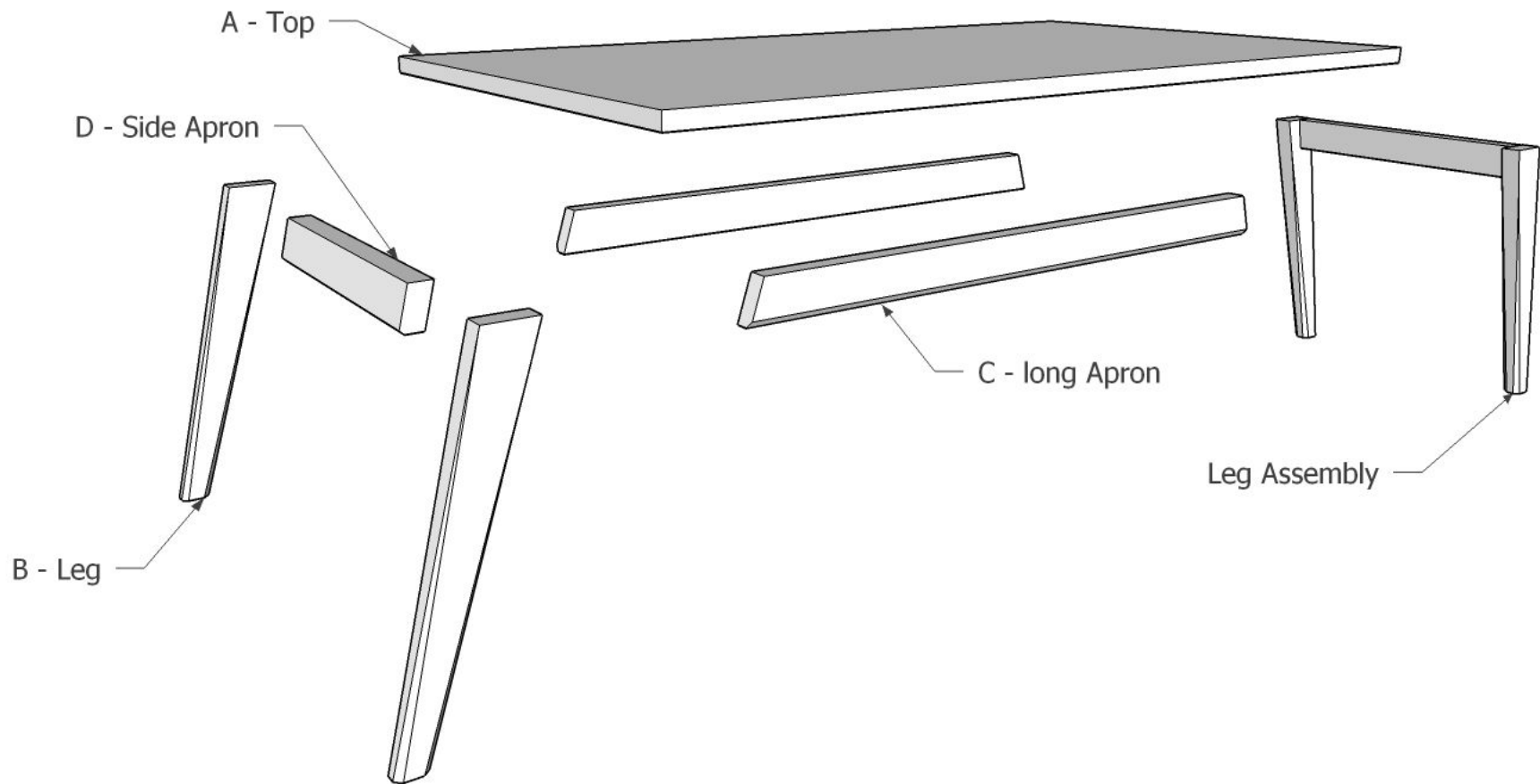
Part ID	Part Description	Material	QTY	Width	Length	Thickness
A	Top	8/4 Hardwood	1	40"	72"	1 3/4"
B	Leg	8/4 Hardwood	4	4"	29 1/4"	1 3/4"
C	Long Apron	8/4 Hardwood	2	3 1/2"	52 1/4"	1 1/2"
D	Side Apron	8/4 Hardwood	2	4"	25 1/2"	1 1/2"

Materials List

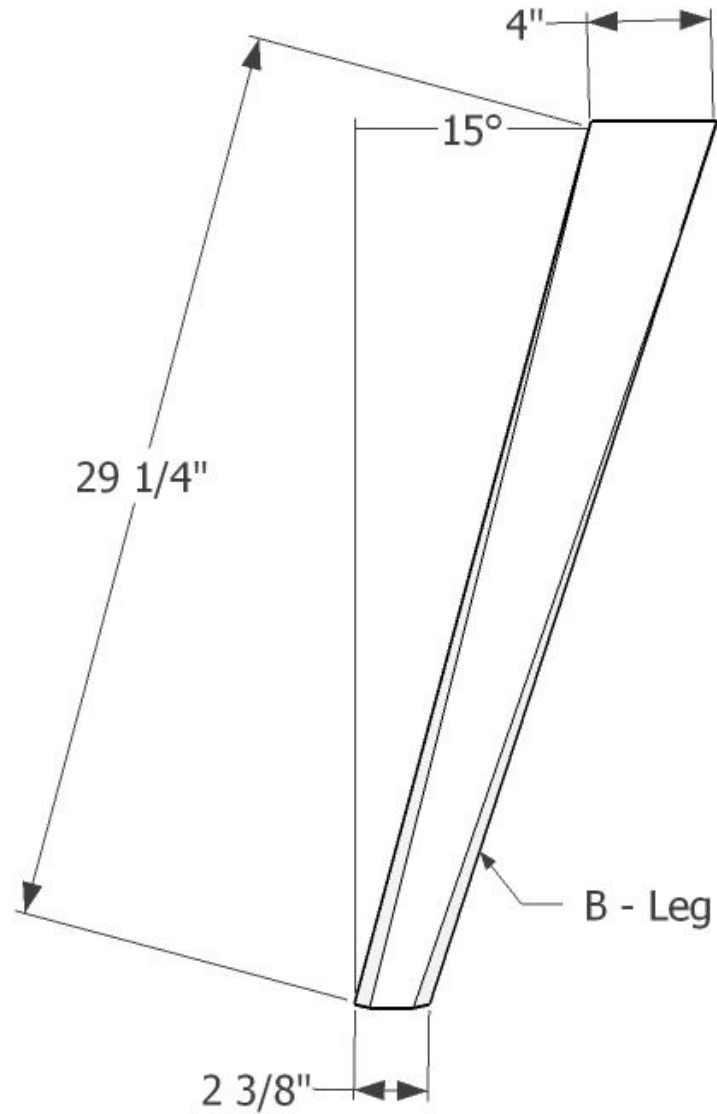
66BF - 8/4 Hardwood (55BF ~net, 66BF with 20% waste added)

Note Board Feet quantities have been rounded up to the nearest board foot

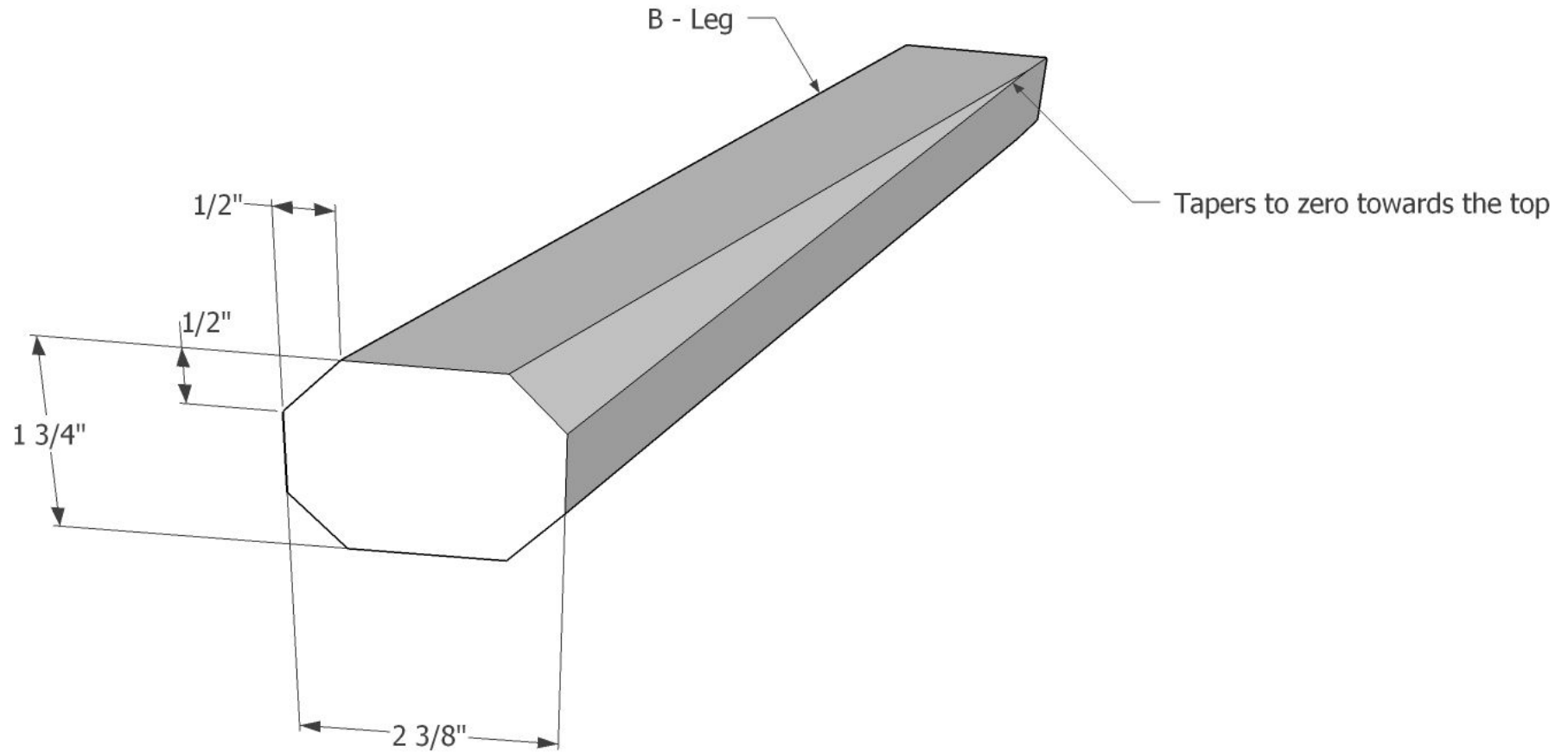
Exploded View



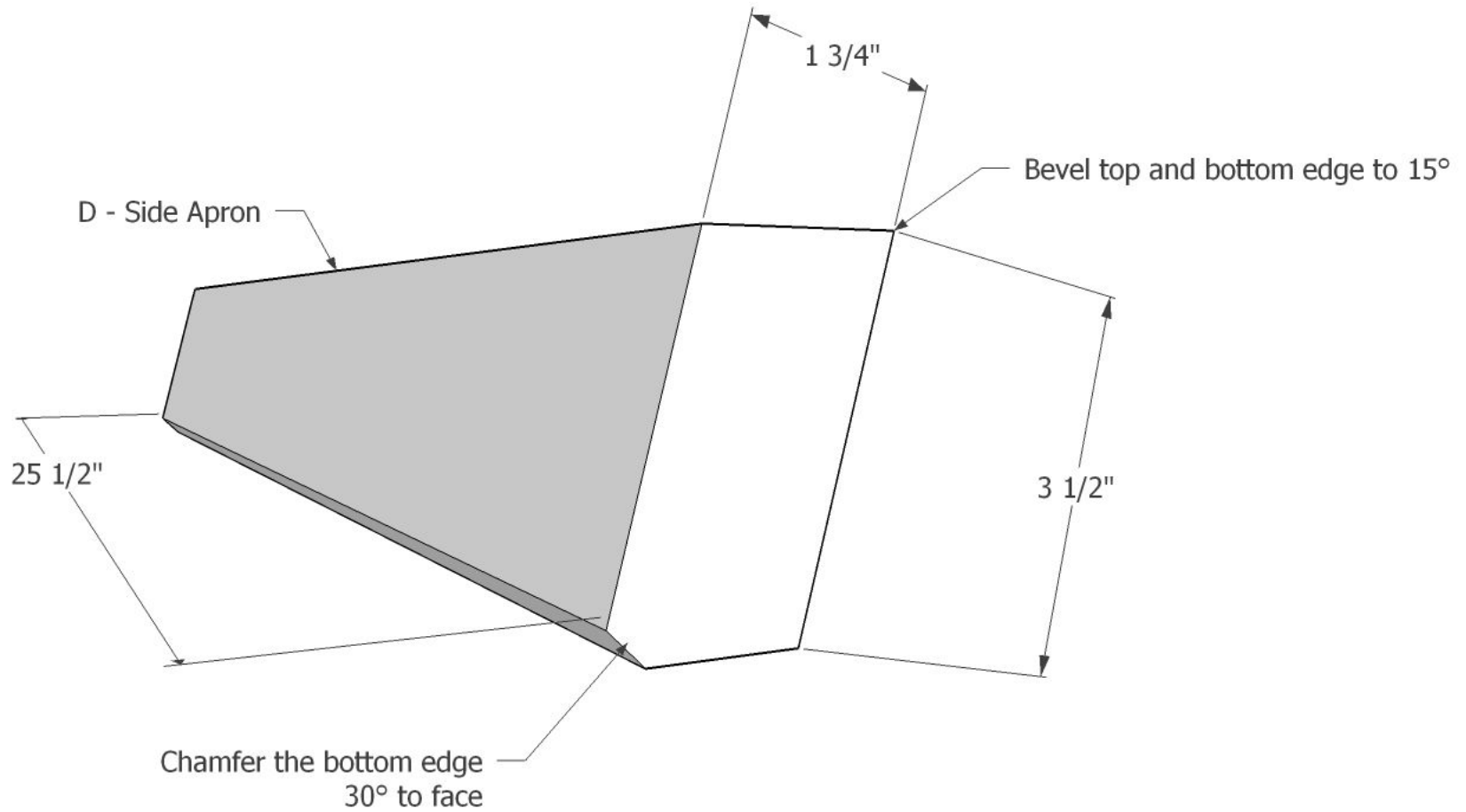
Leg Detail



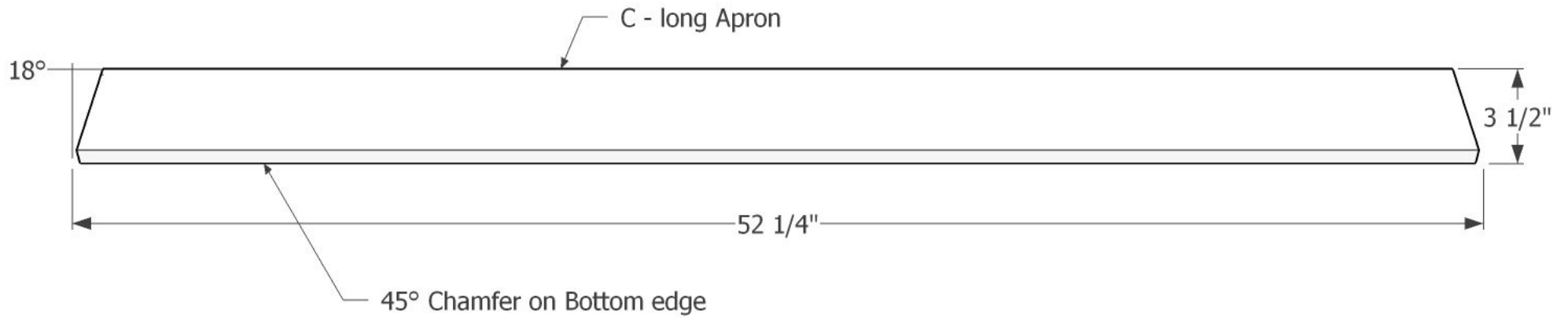
Foot Detail



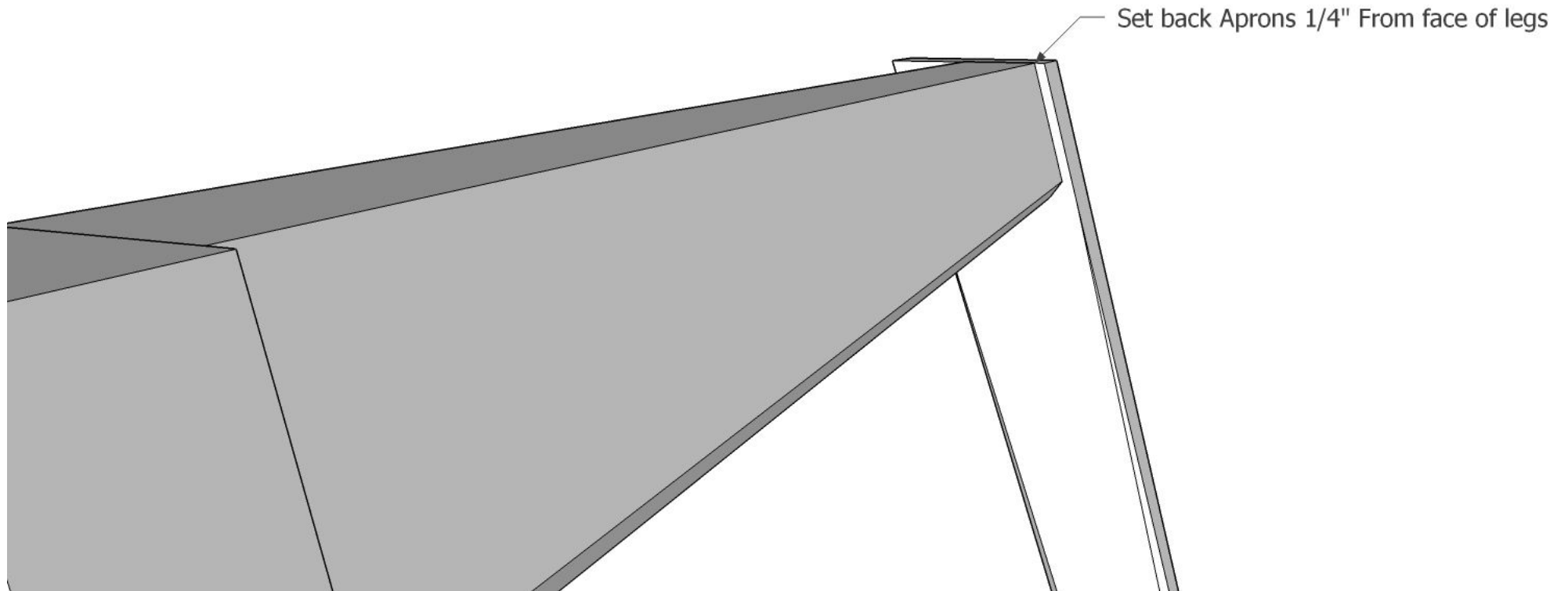
Side Apron Detail



Long Apron Detail



Apron Set Back Detail



Top Detail

