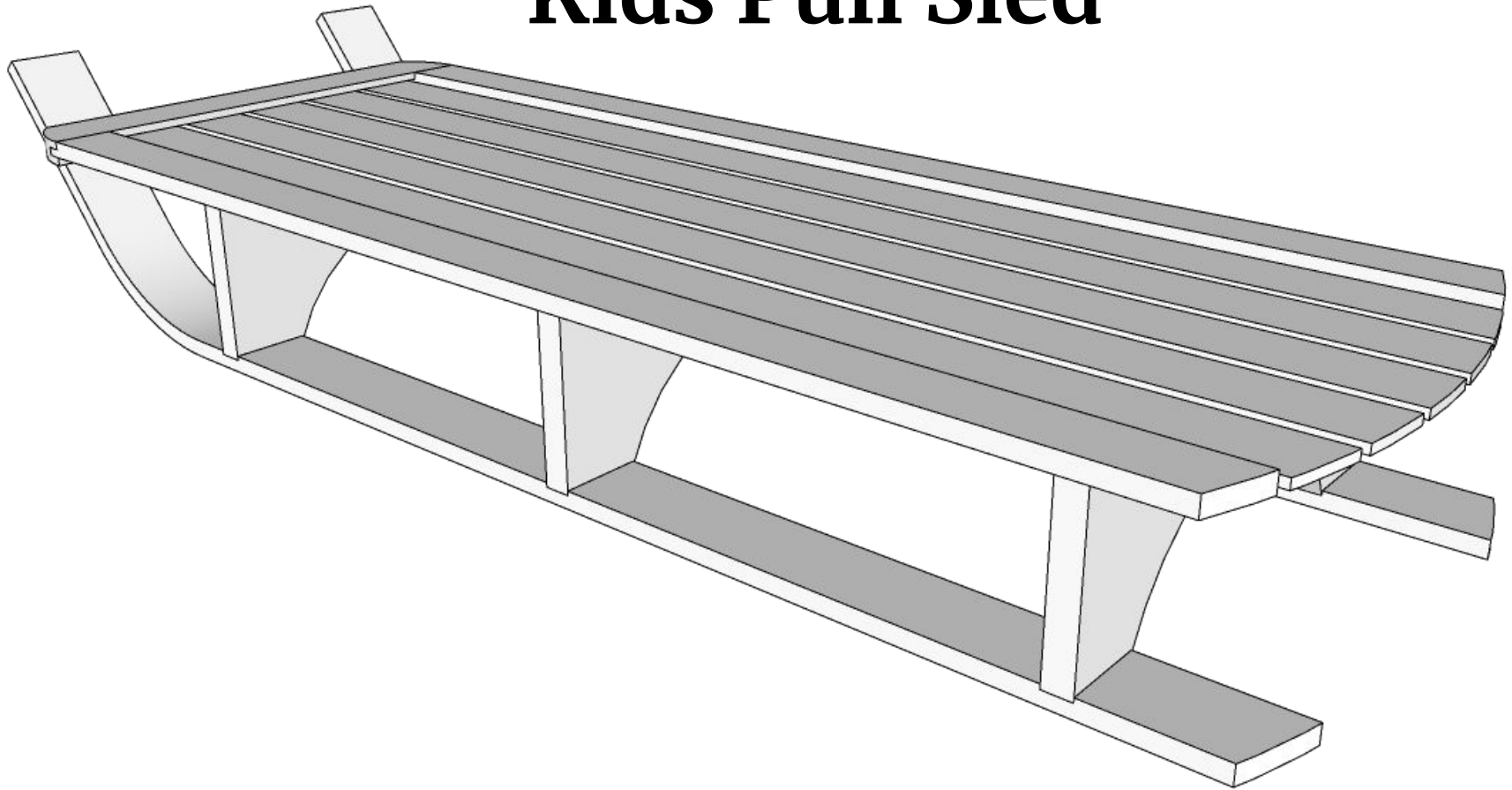


Kids Pull Sled



Design: Marc Spagnuolo
Plans: Marc Spagnuolo & Brian Benham
Copyright © 2020, The Wood Whisperer, Inc. TheWoodWhisperer.com
Version 1



TWW[®]

Cut List

Part ID	Part Description	Material	QTY	Width	Length	Thickness
A	Runner	4/4 Hardwood	2	2 1/4"	48"	1/2"
B	Support	4/4 Hardwood	3	5"	14"	3/4"
C	Side Rail	4/4 Hardwood	2	1 3/4"	40"	1/2"
D	Slat	4/4 Hardwood	5	2"	40"	1/4"
E	Nosing	4/4 Hardwood	1	2"	15 1/2"	3/4"

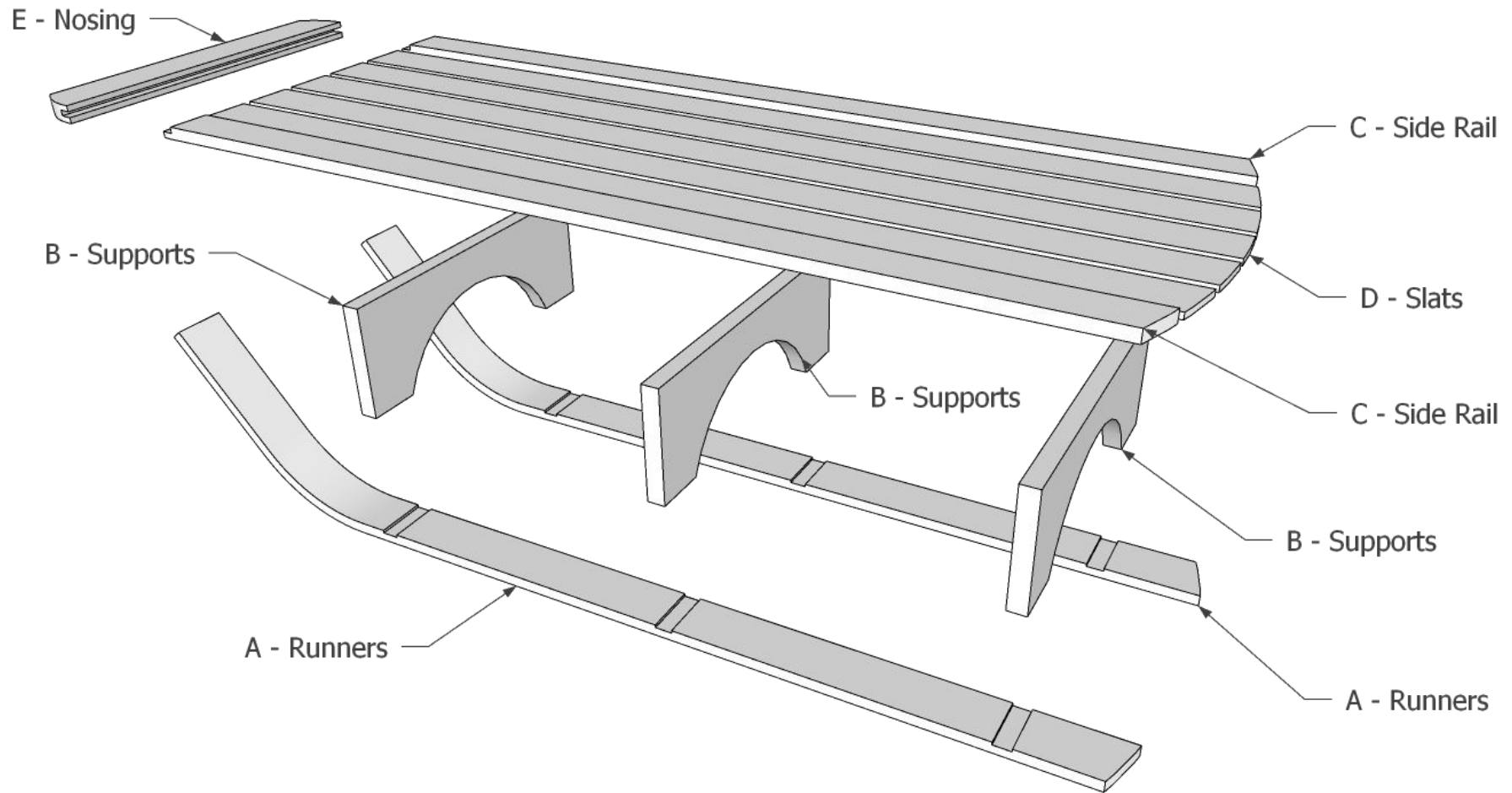
Materials List

Description	Type	Approximate BF	+20%
4/4 Hardwood	Species 1	7	9

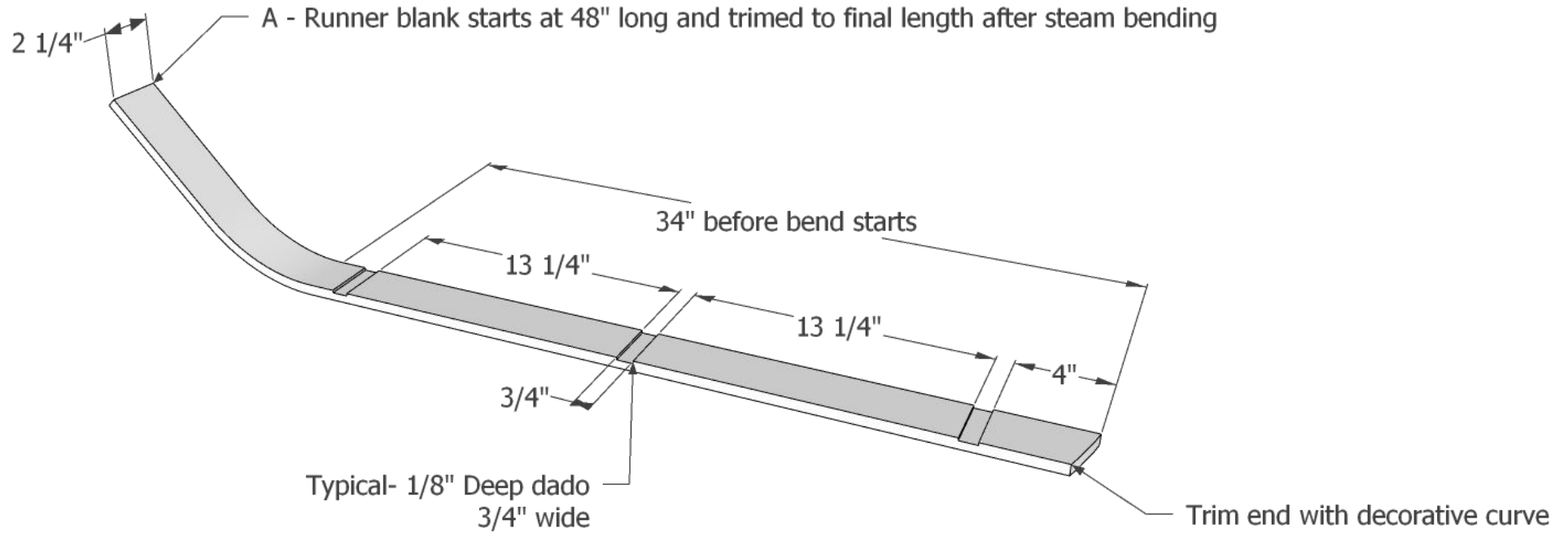
*Note Board Feet quantities have been rounded up to the nearest board foot

Description	Type	Qty
3/4" Plywood for bending form	n/a	1 Sheet
Eye hooks	n/a	2 ea
Length of rope	na	n/a

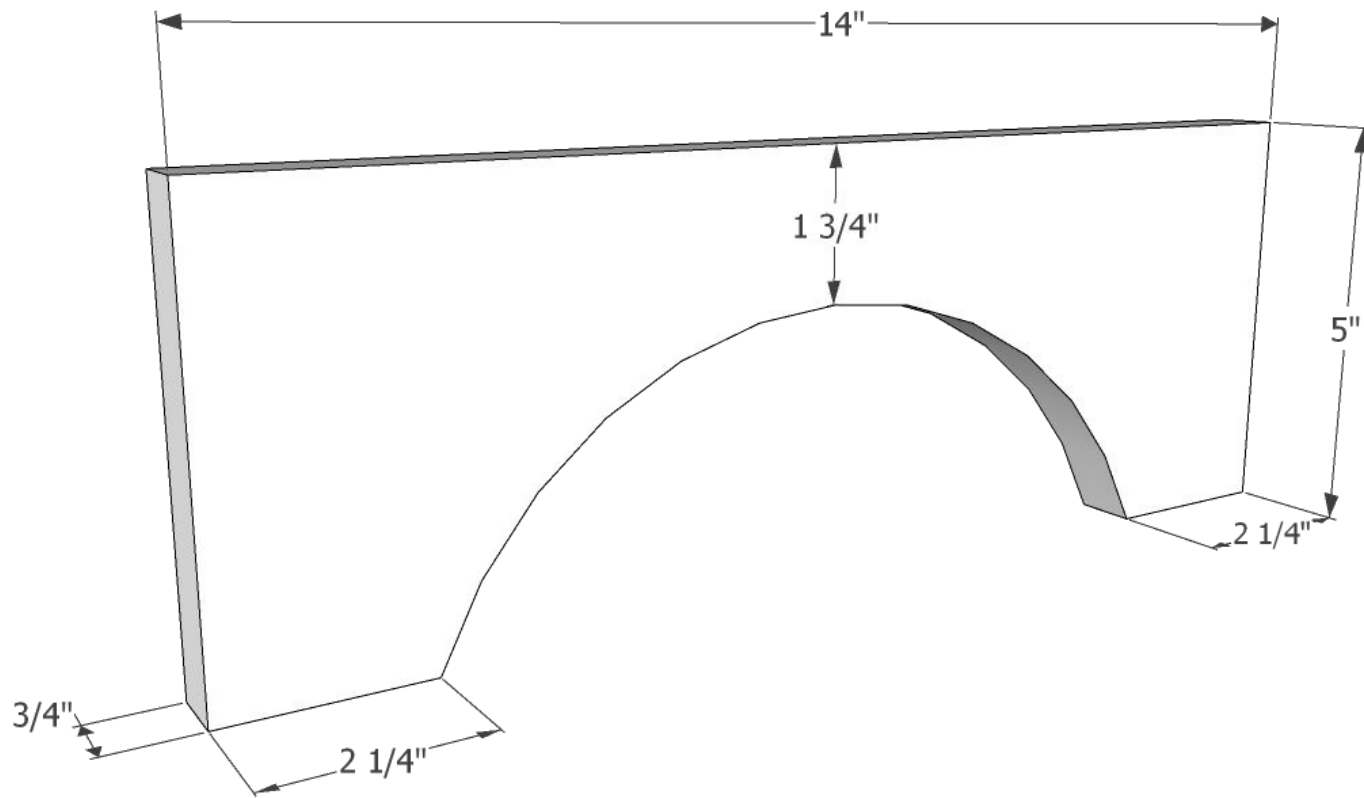
Exploded View



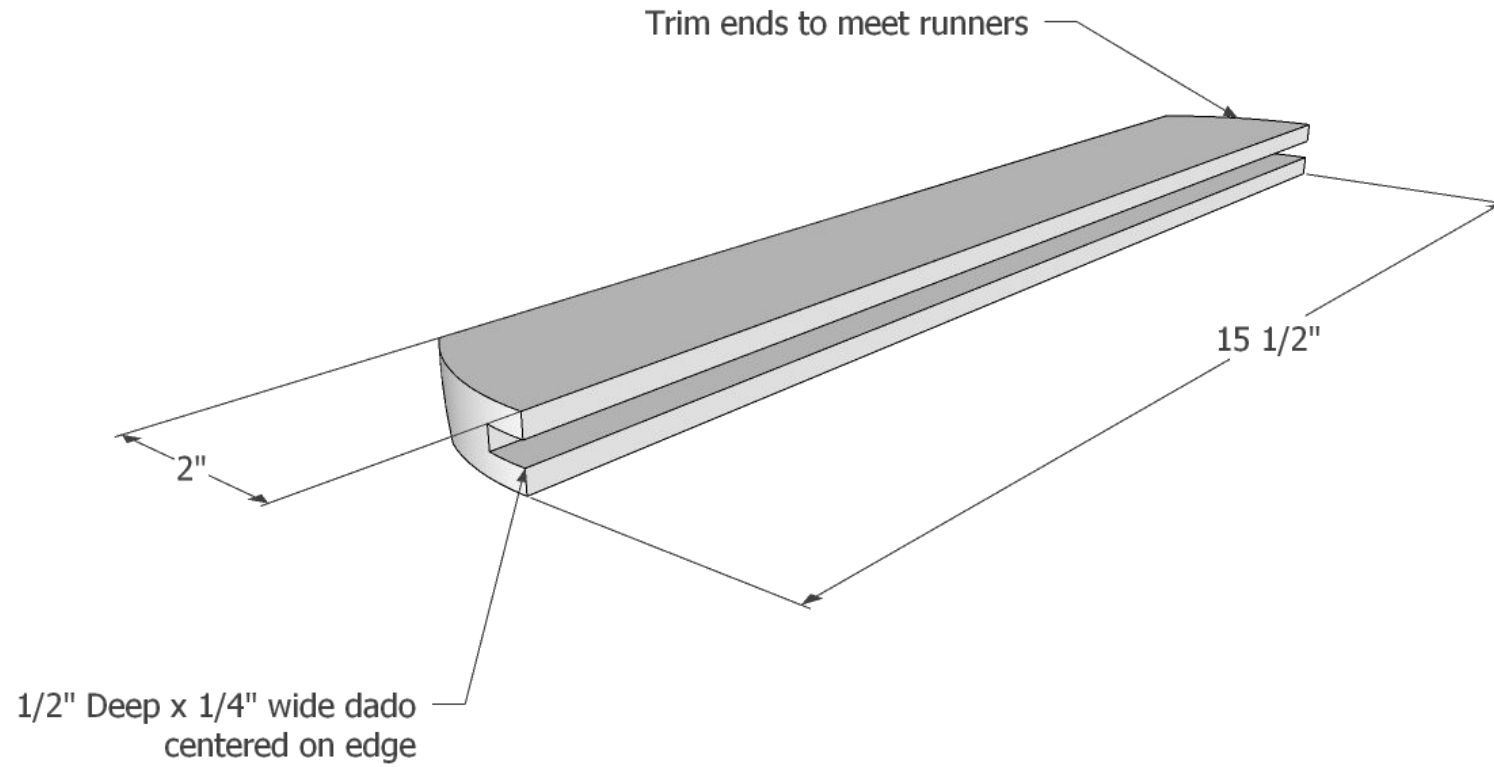
Runner Detail



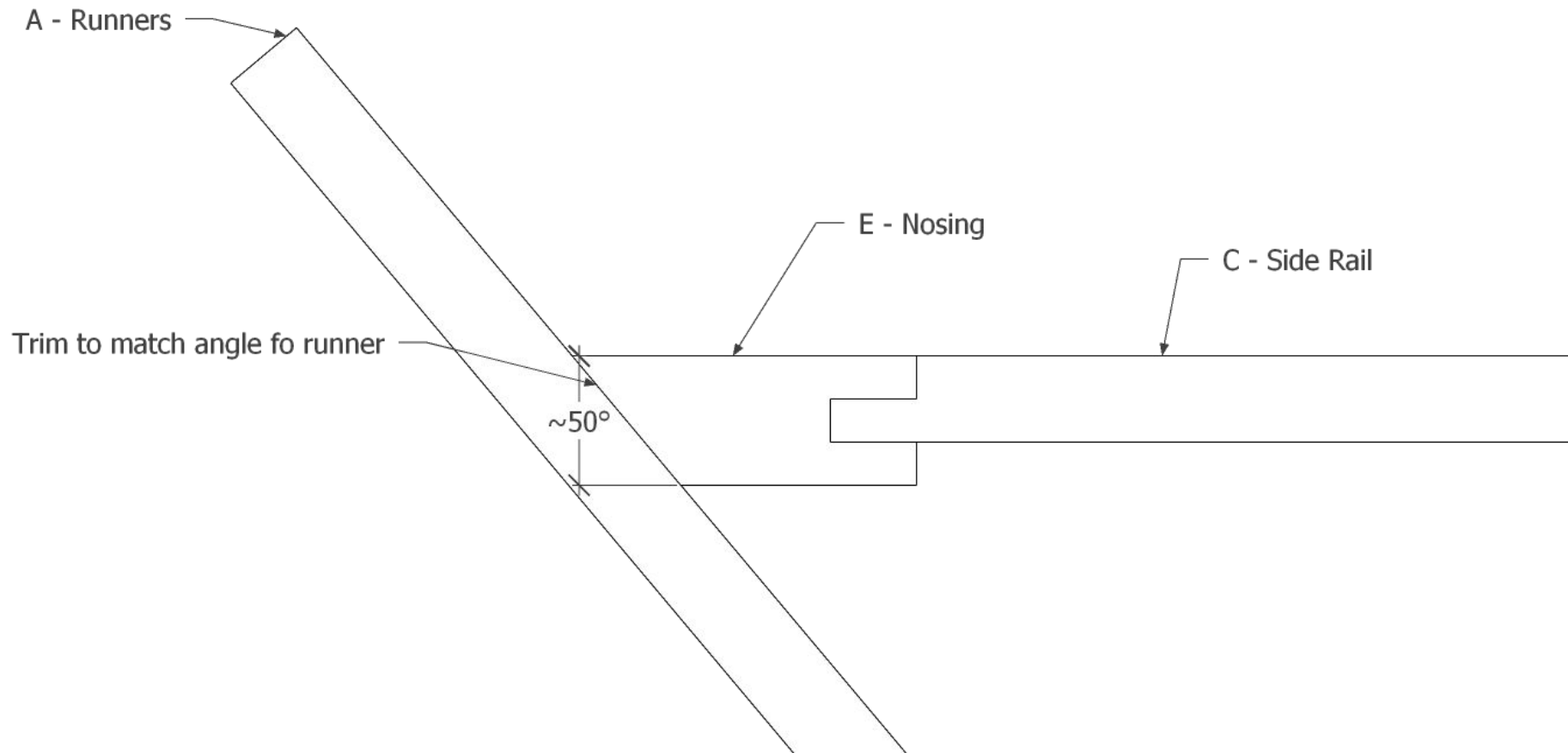
Support Detail



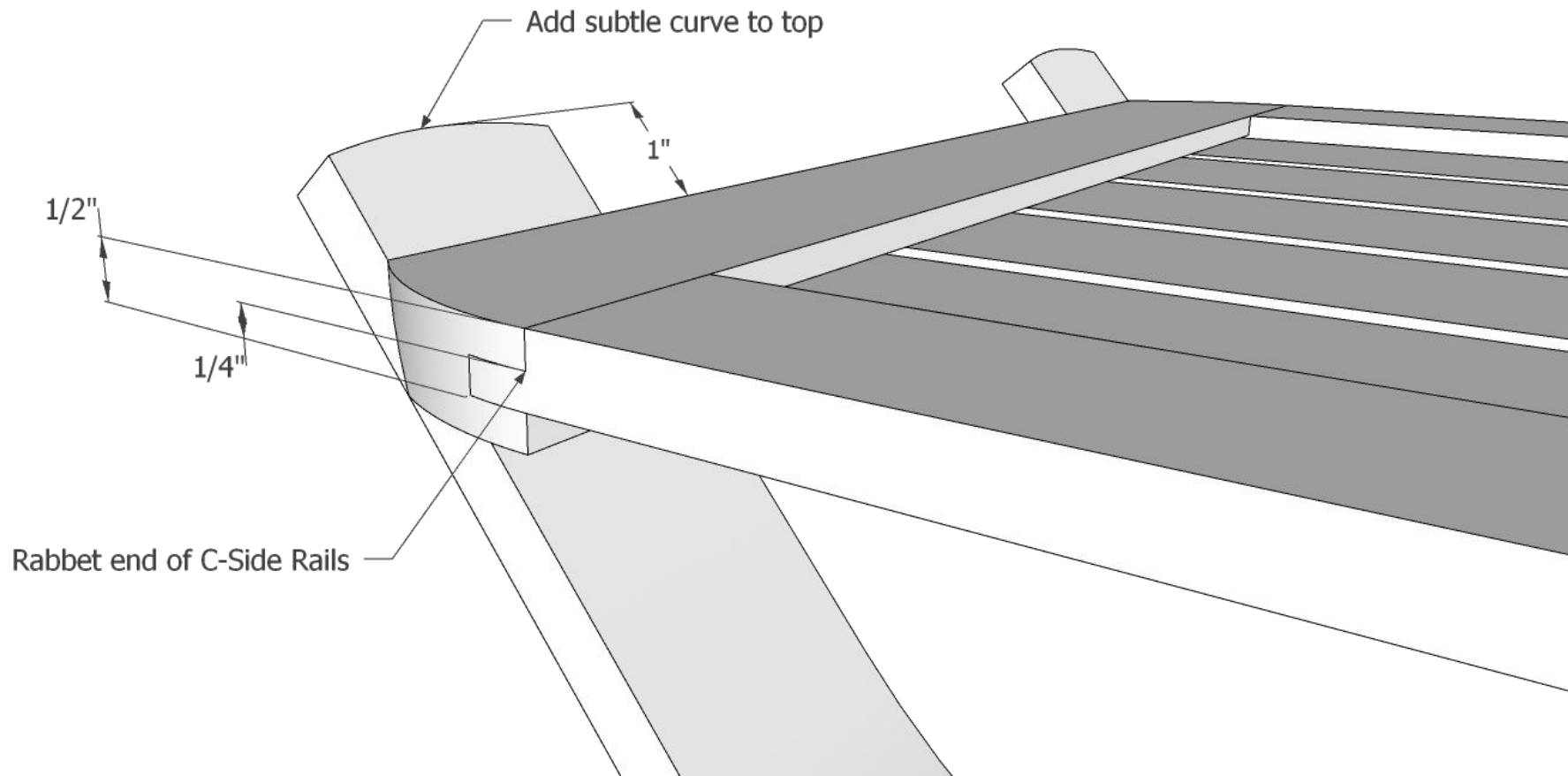
Nosing Detail



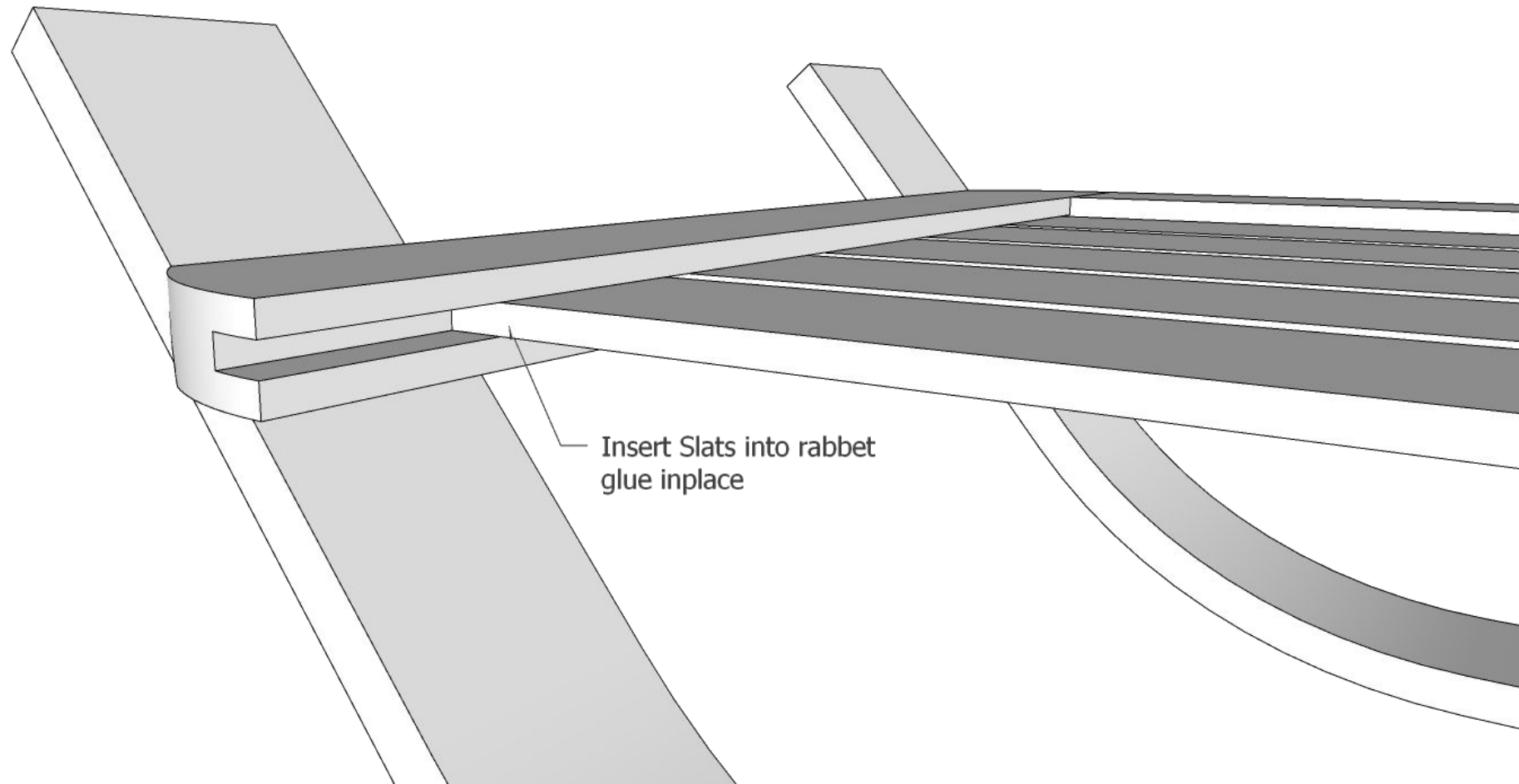
Nosing Side Elevation



Side Rail Assembly



Slat Assembly



Deck Assembly

