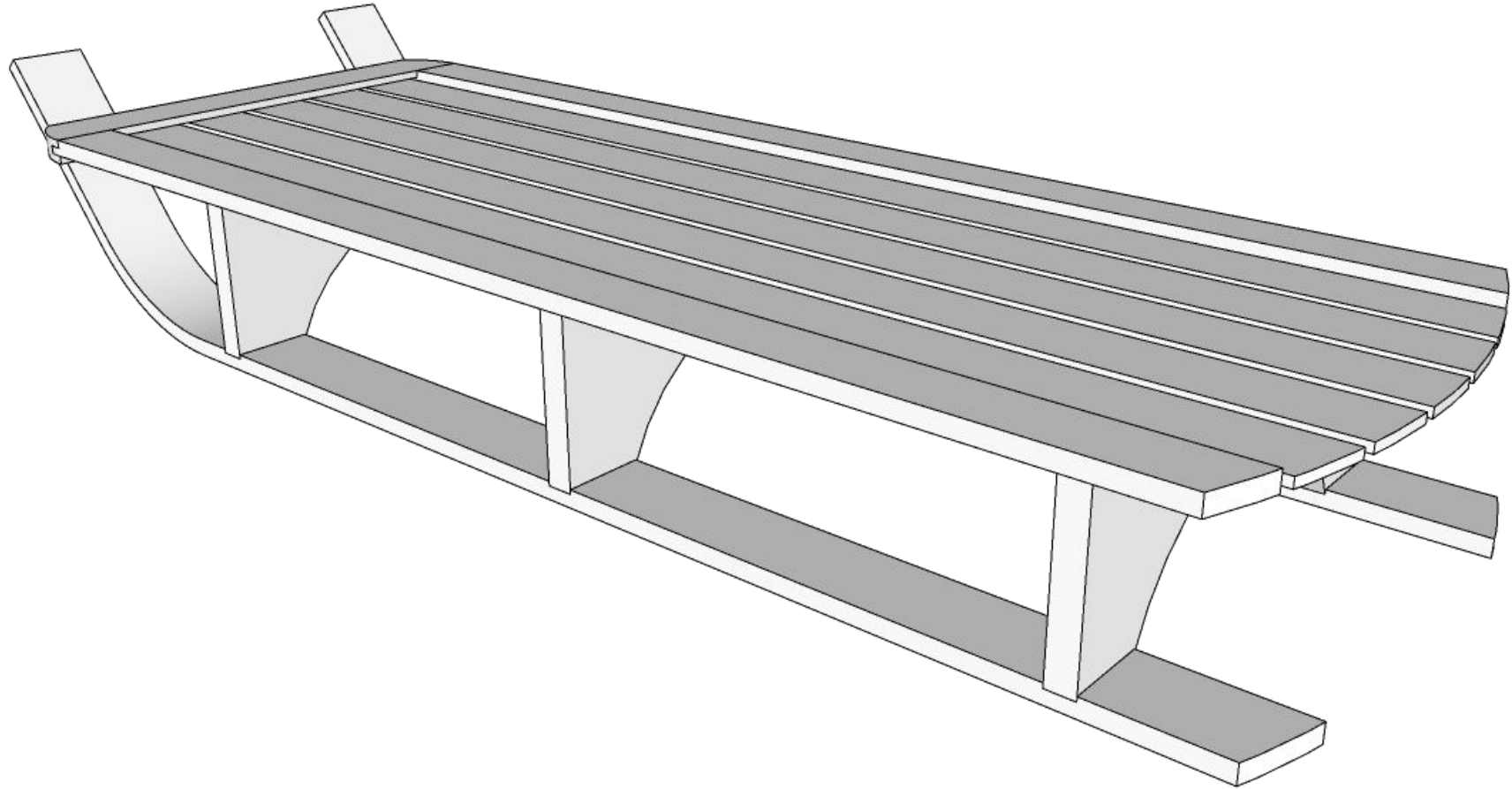


Kids Pull Sled



Design: Marc Spagnuolo
Plans: Marc Spagnuolo & Brian Benham
Copyright © 2020, The Wood Whisperer, Inc. TheWoodWhisperer.com
Version 1



TWW[®]

Cut List

Part ID	Part Description	Material	QTY	Width	Length	Thickness
A	Runner	4/4 Hardwood	2	57mm	1219mm	13mm
B	Support	4/4 Hardwood	3	127mm	356mm	19mm
C	Side Rail	4/4 Hardwood	2	44mm	1016mm	13mm
D	Slat	4/4 Hardwood	5	51mm	1016mm	6mm
E	Nosing	4/4 Hardwood	1	51mm	394mm	13mm

IMPORTANT! These plans were converted from imperial measurements, and rounded to the nearest mm. It is recommended you use relative dimensioning to ensure a good fit.

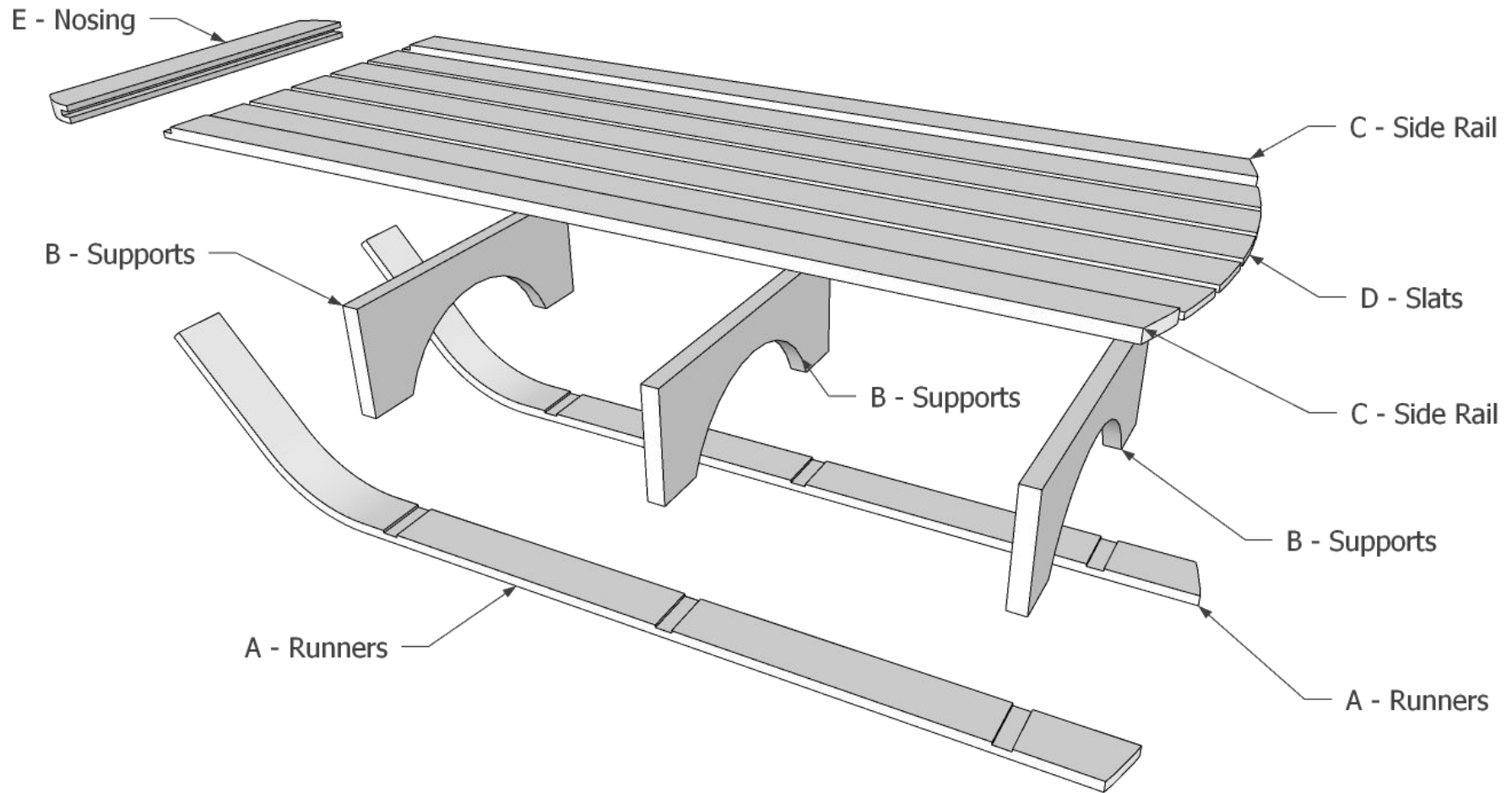
Materials List

Description	Type	Approximate BF	+20%
4/4 Hardwood	Species 1	7	9

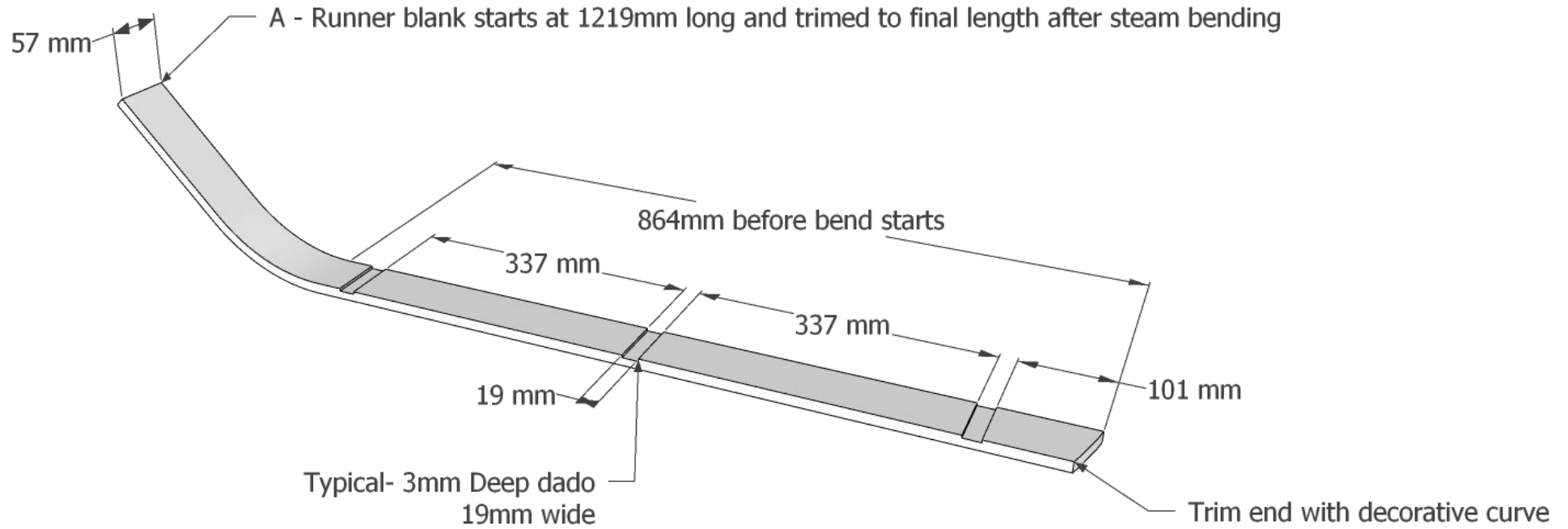
*Note Board Feet quantities have been rounded up to the nearest board foot

Description	Type	Qty
3/4" Plywood for bending form	n/a	1 Sheet
Eye hooks	n/a	2 ea
Length of rope	na	n/a

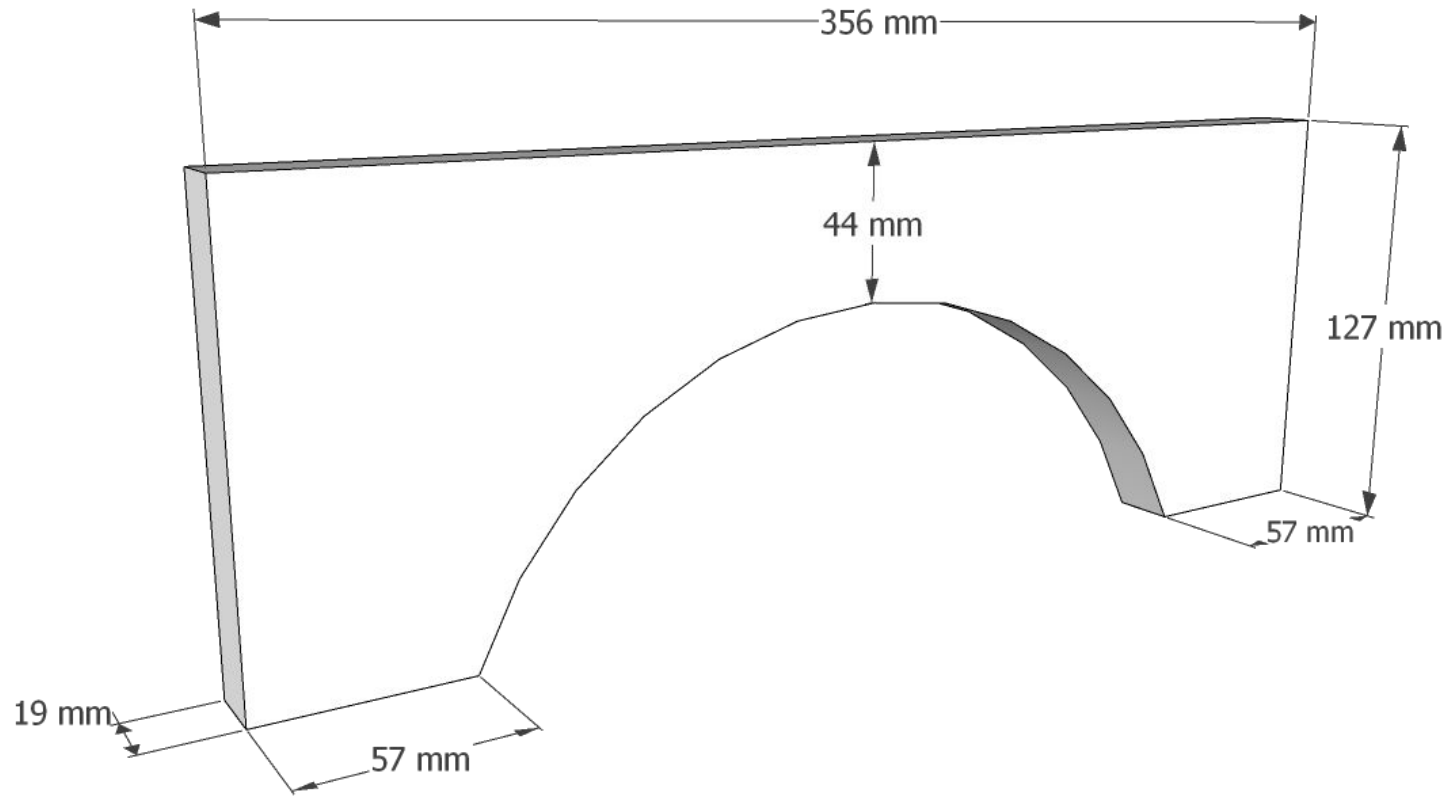
Exploded View



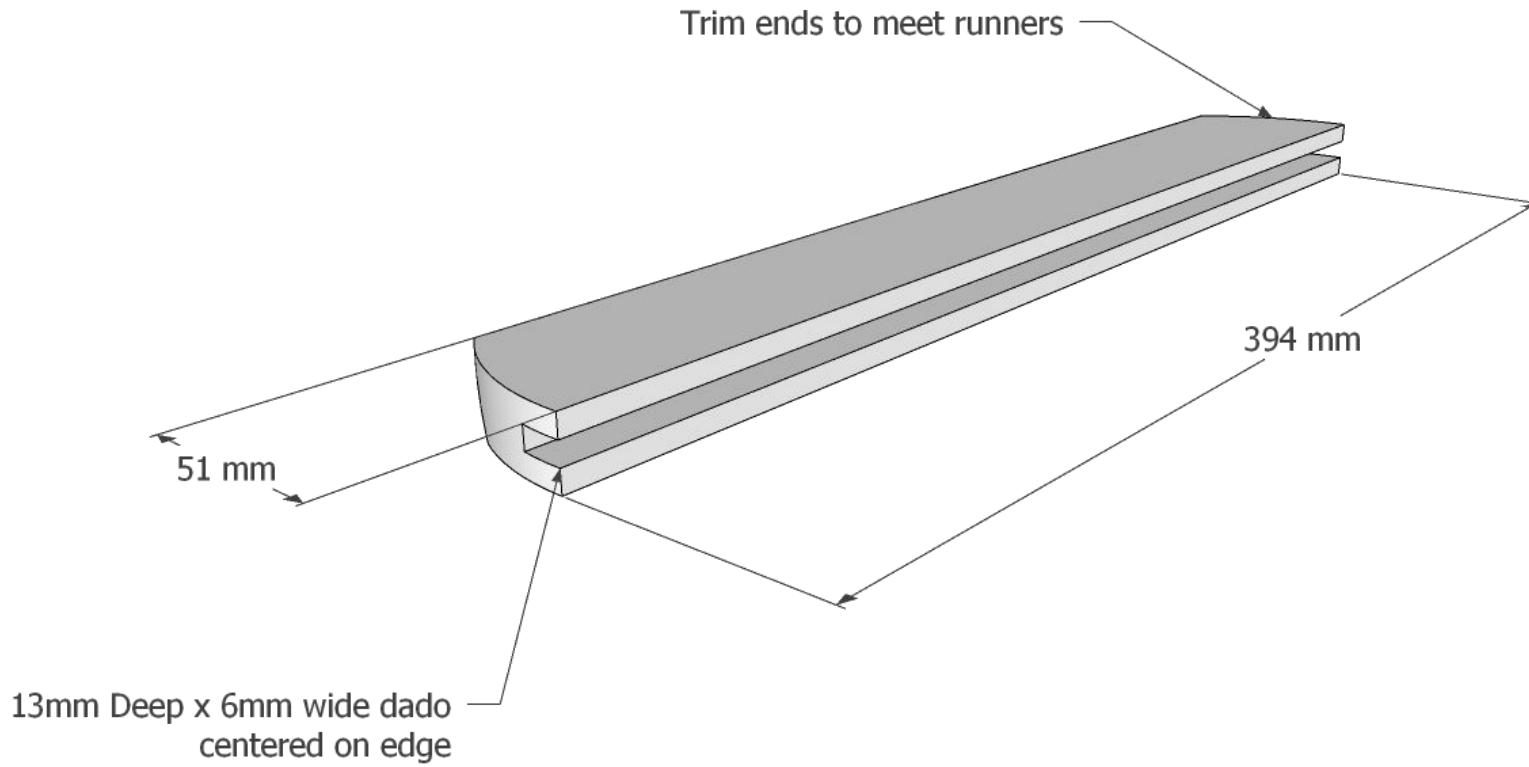
Runner Detail



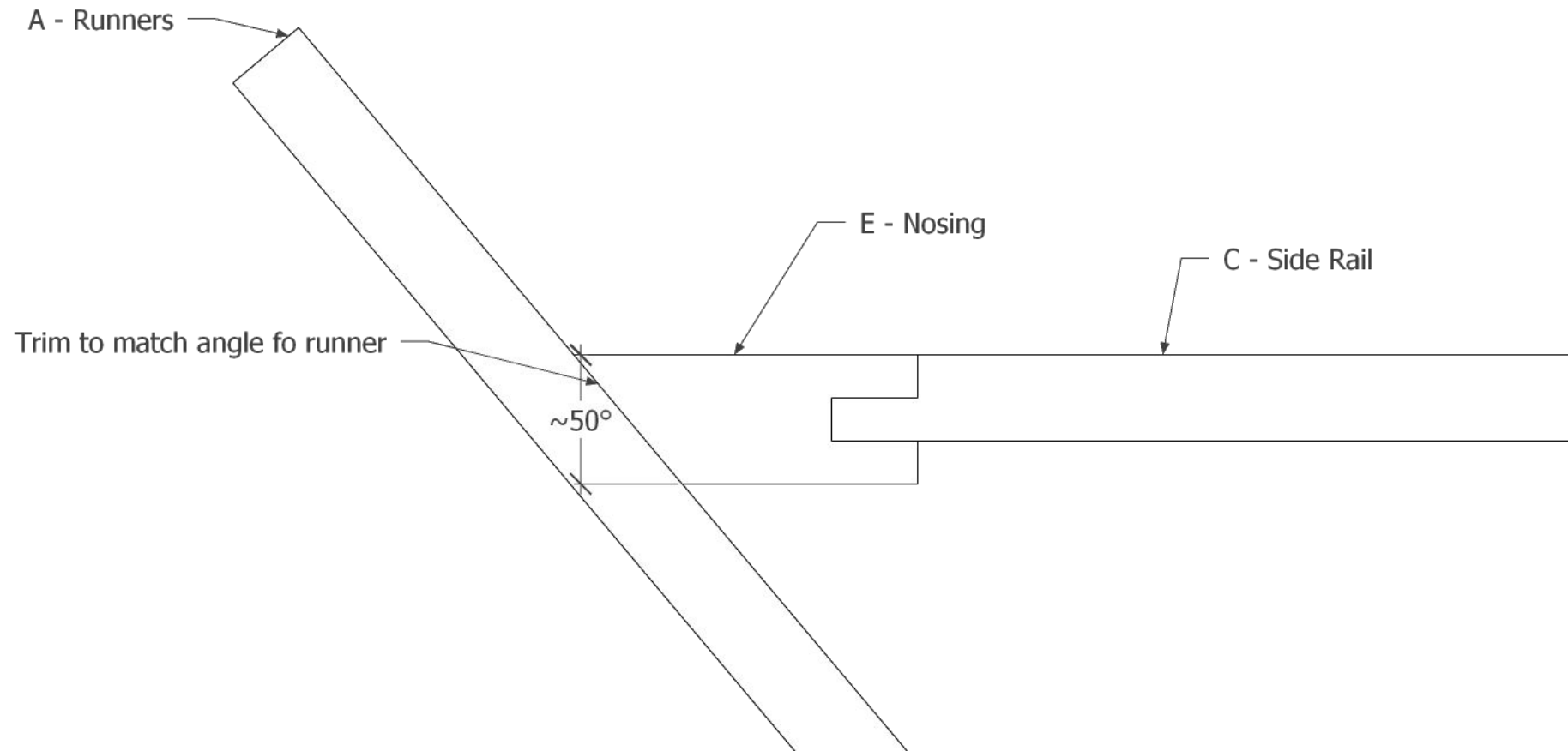
Support Detail



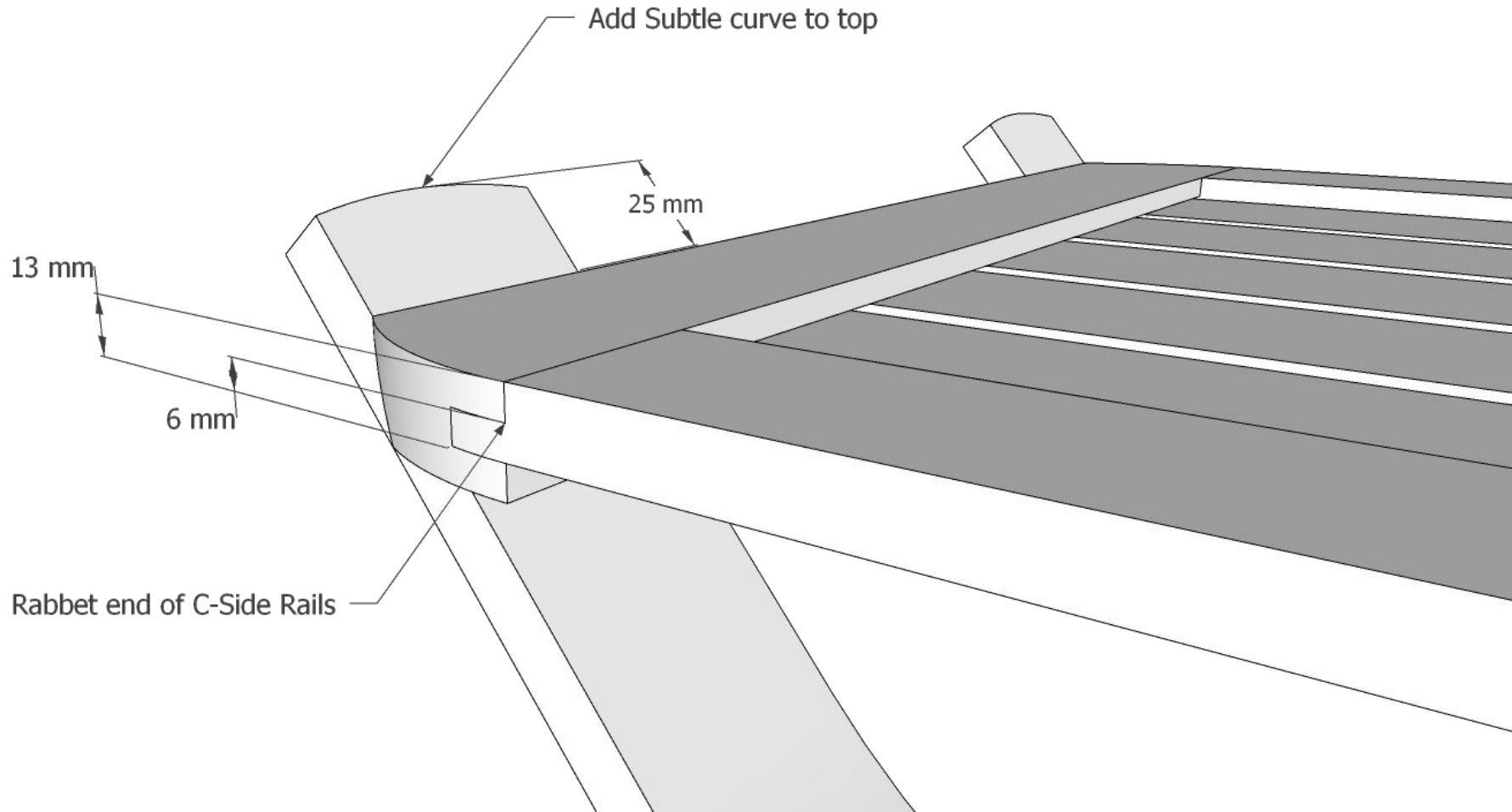
Nosing Detail



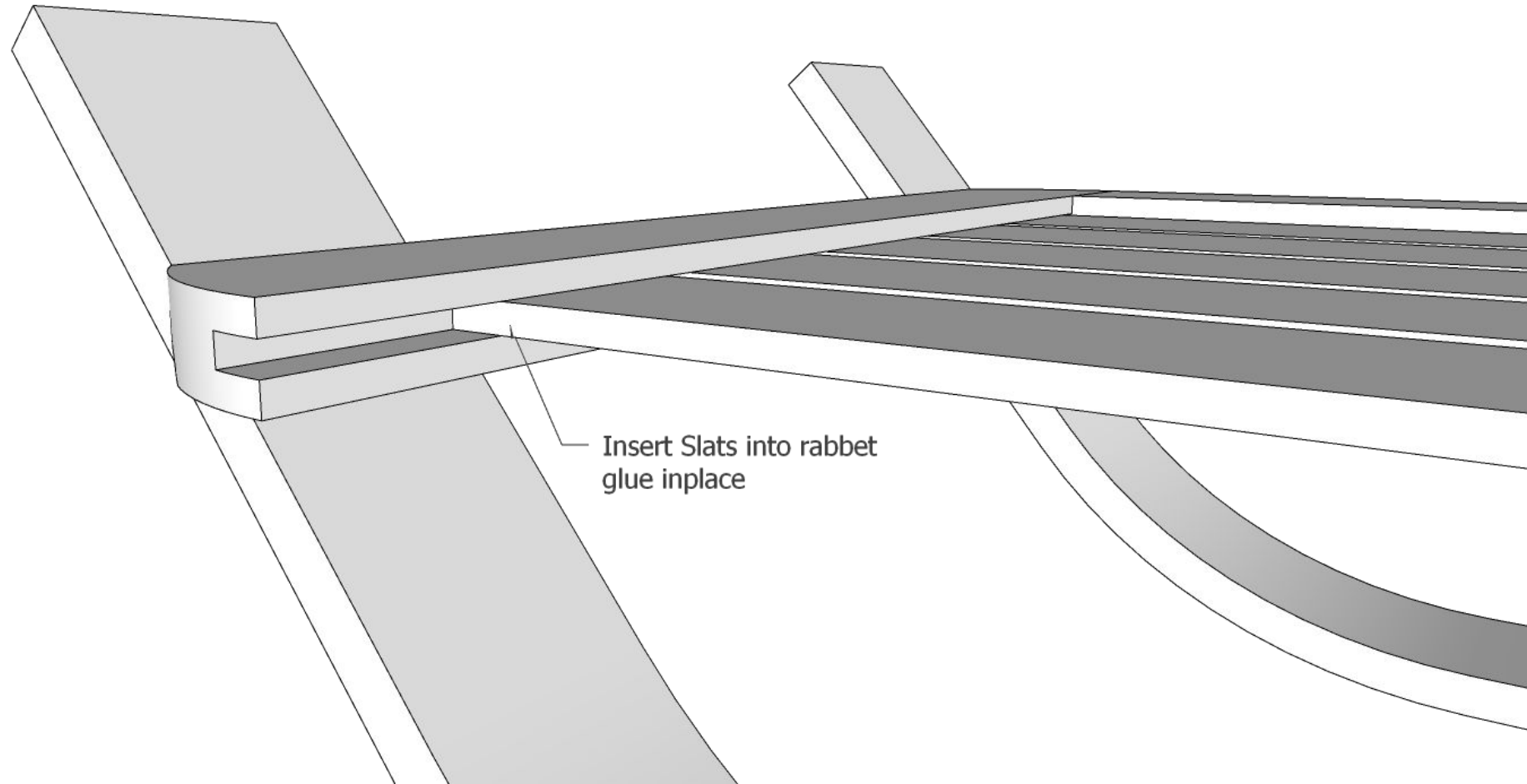
Nosing Side Elevation



Side Rail Assembly



Slat Assembly



Deck Assembly

