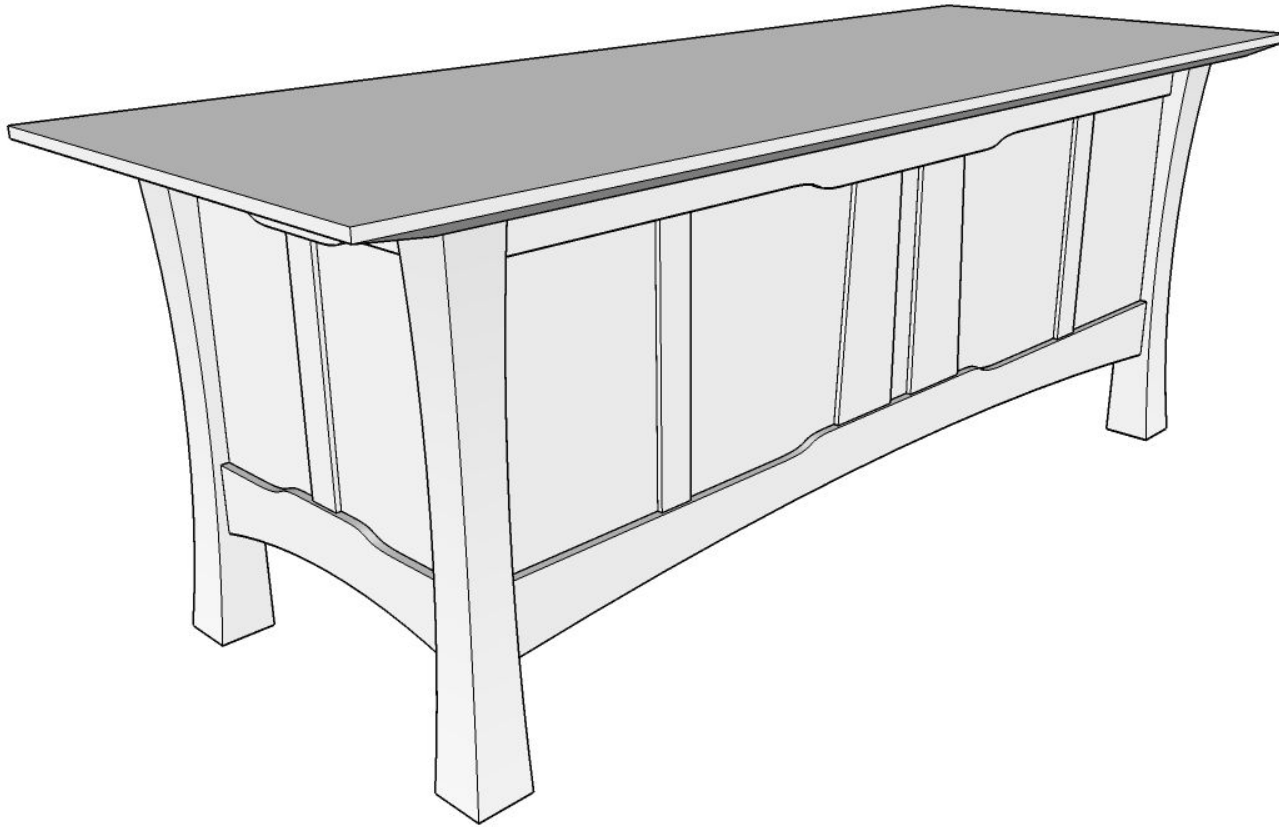


Entryway Bench w/ Storage



A storage bench like no other. Plenty of room to store your stuff with a touch of Greene & Greene styling.

Design: Marc Spagnuolo
Plans: Marc Spagnuolo & Brian Benham
Copyright © 2019, The Wood Whisperer, Inc. TheWoodWhisperer.com
Version 1



TWW[®]

Cut List

Part ID	Part Description	Material	QTY	Width	Length	Thickness
A	Top	4/4 Hardwood Species 1	1	17 1/2"	48"	3/4"
A1	Top Cleat	4/4 Hardwood Species 1	2	1 1/2"	12"	3/4"
B	Leg	10/4 Hardwood Species 1	4	2"	17 1/4"	2"
C	Upper Front Rail	4/4 Hardwood Species 1	1	1 7/8"	37"	3/4"
D	Lower Front Rail	4/4 Hardwood Species 1	1	2 7/8"	37"	3/4"
E	Center Front Stile	4/4 Hardwood Species 1	2	3"	9 1/4"	5/8"
F	Front Stile	4/4 Hardwood Species 1	2	1 1/4"	10"	5/8"
G	Front Outer Panel	4/4 Hardwood Species 1	2	6 7/8"	10"	1/4"
H	Front Inner Panel	4/4 Hardwood Species 1	2	8 3/8"	10"	1/4"
I	Front Center Panel	4/4 Hardwood Species 1	1	1 3/4"	9 1/4"	1/4"
J	Side Upper Rail	4/4 Hardwood Species 1	2	1 7/8"	12"	3/4"
K	Side Lower Rail	4/4 Hardwood Species 1	2	6 11/16"	12"	3/4"
L	Side Stile	4/4 Hardwood Species 1	2	1 1/4"	9 1/4"	5/8"
M	Side Panel	4/4 Hardwood Species 1	4	6"	10"	1/4"
N	Bottom	3/4" Plywood Species 1	1	13"	38"	3/4"
O	Bottom Cleat Long	4/4 Hardwood Species 1	2	1"	37"	3/4"
P	Bottom Cleat Short	4/4 Hardwood Species 1	2	1"	12"	3/4"
Q	Back Panel	1/4" Plywood Species 1	1	9"	37 3/4"	1/4"
R	Back Upper Rail	4/4 Hardwood Species 1	1	2 1/2"	37"	3/4"
S	Back Lower Rail	4/4 Hardwood Species 1	1	2 1/2"	37"	3/4"

Materials List

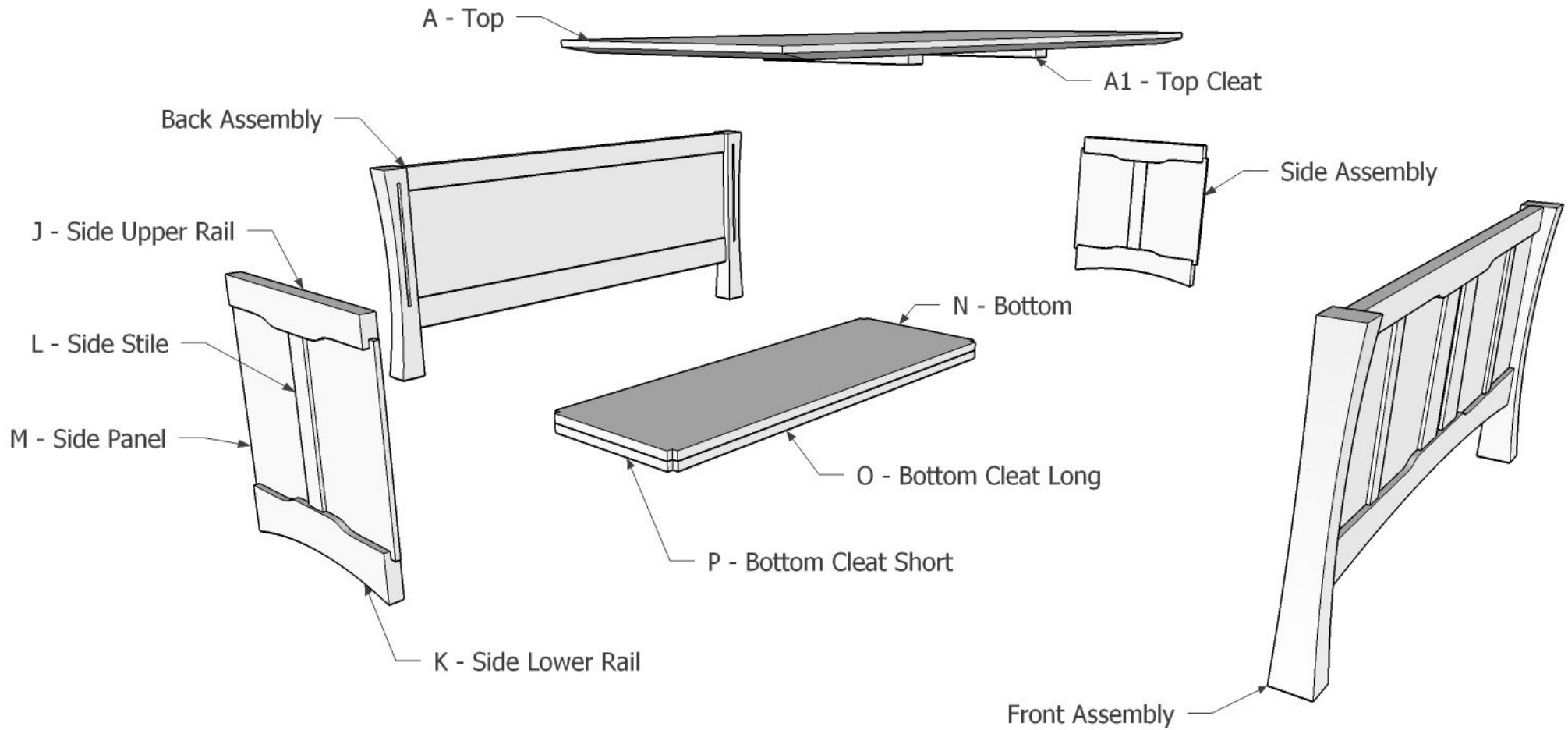
Description	Type	Approximate BF	+ 20%
4/4 Hardwood	Species 1	14	17
10/4 Hardwood	Species 1	3	4

Note: Board Feet quantities have been rounded up to the nearest board foot

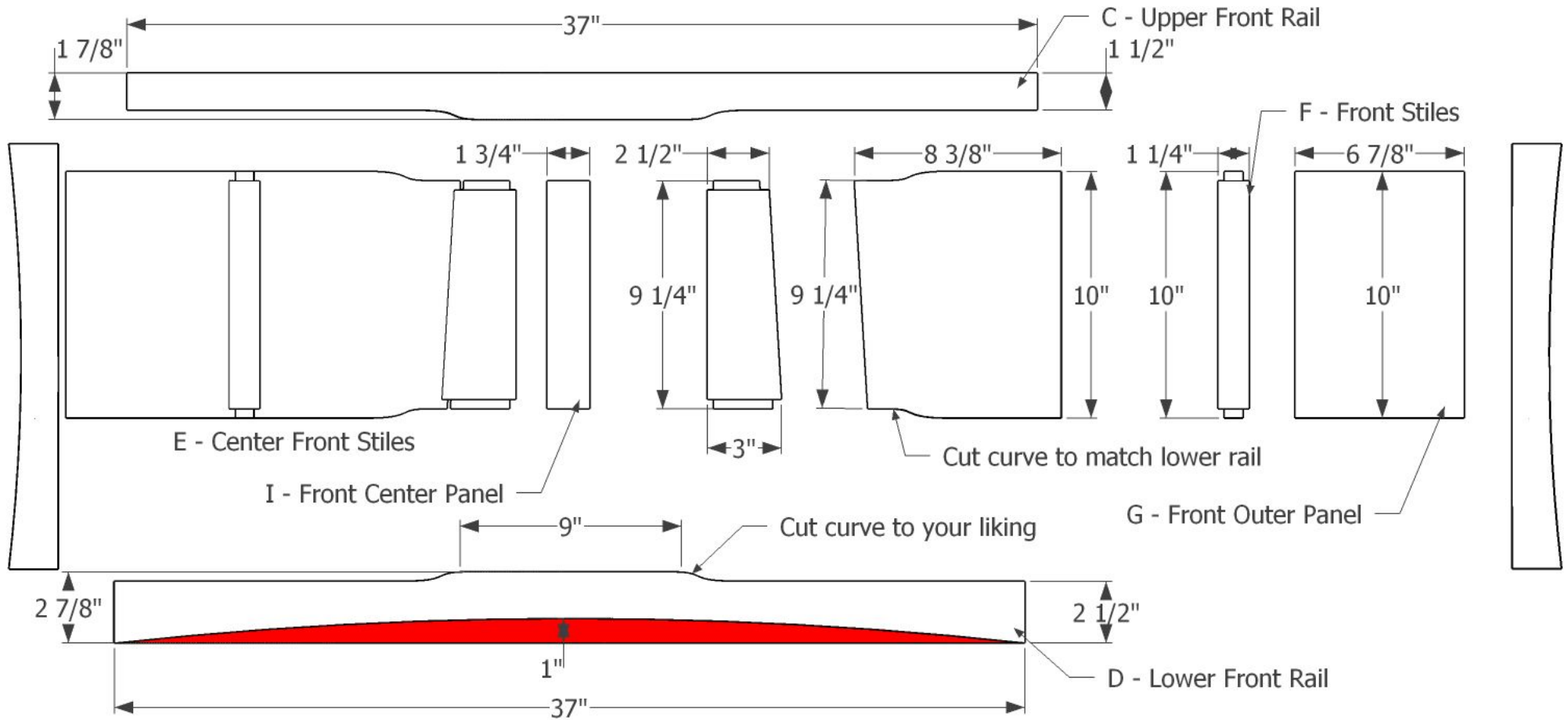
Description	Type	Qty
3/4" Plywood	Species 1	1 Sheet
1/4" Plywood	Species 1	1 Sheet

Note: You can Substitute 1/2" Plywood for 3/4" Plywood

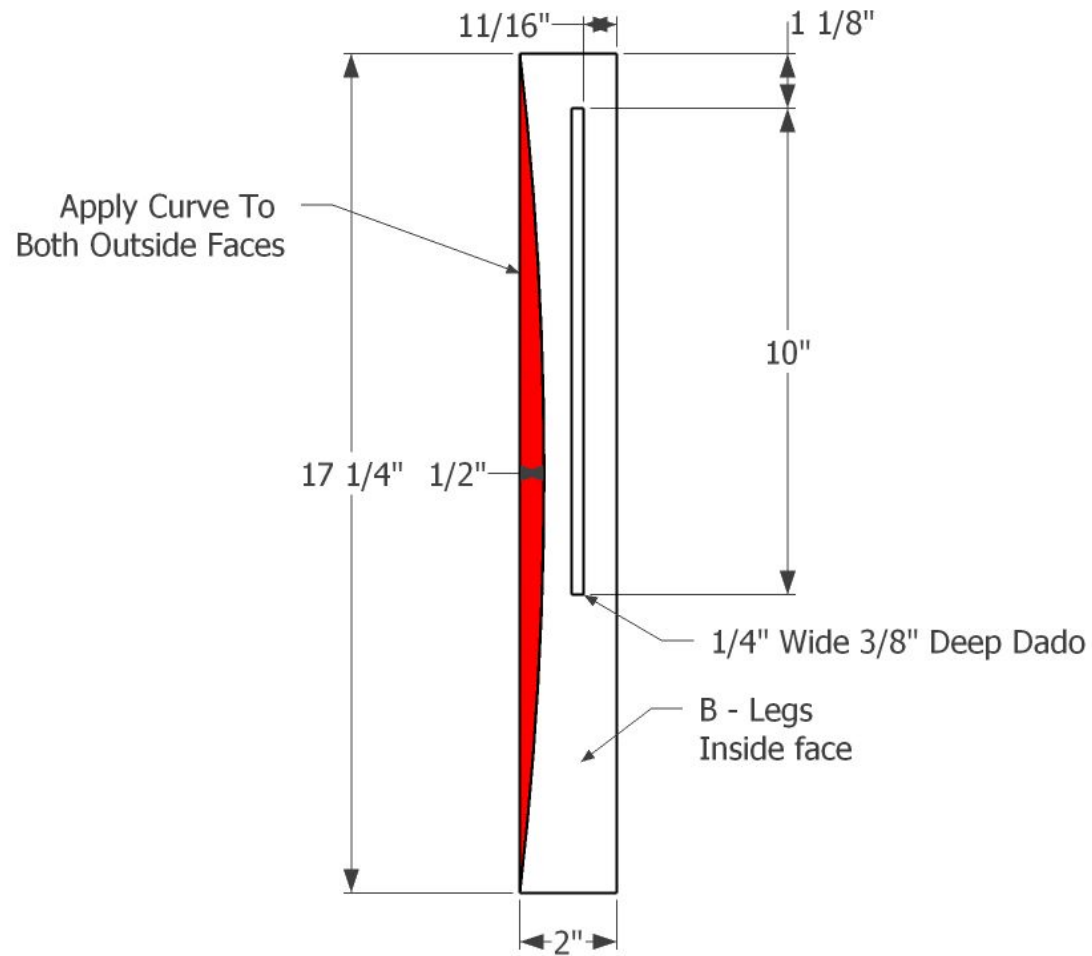
Exploded View



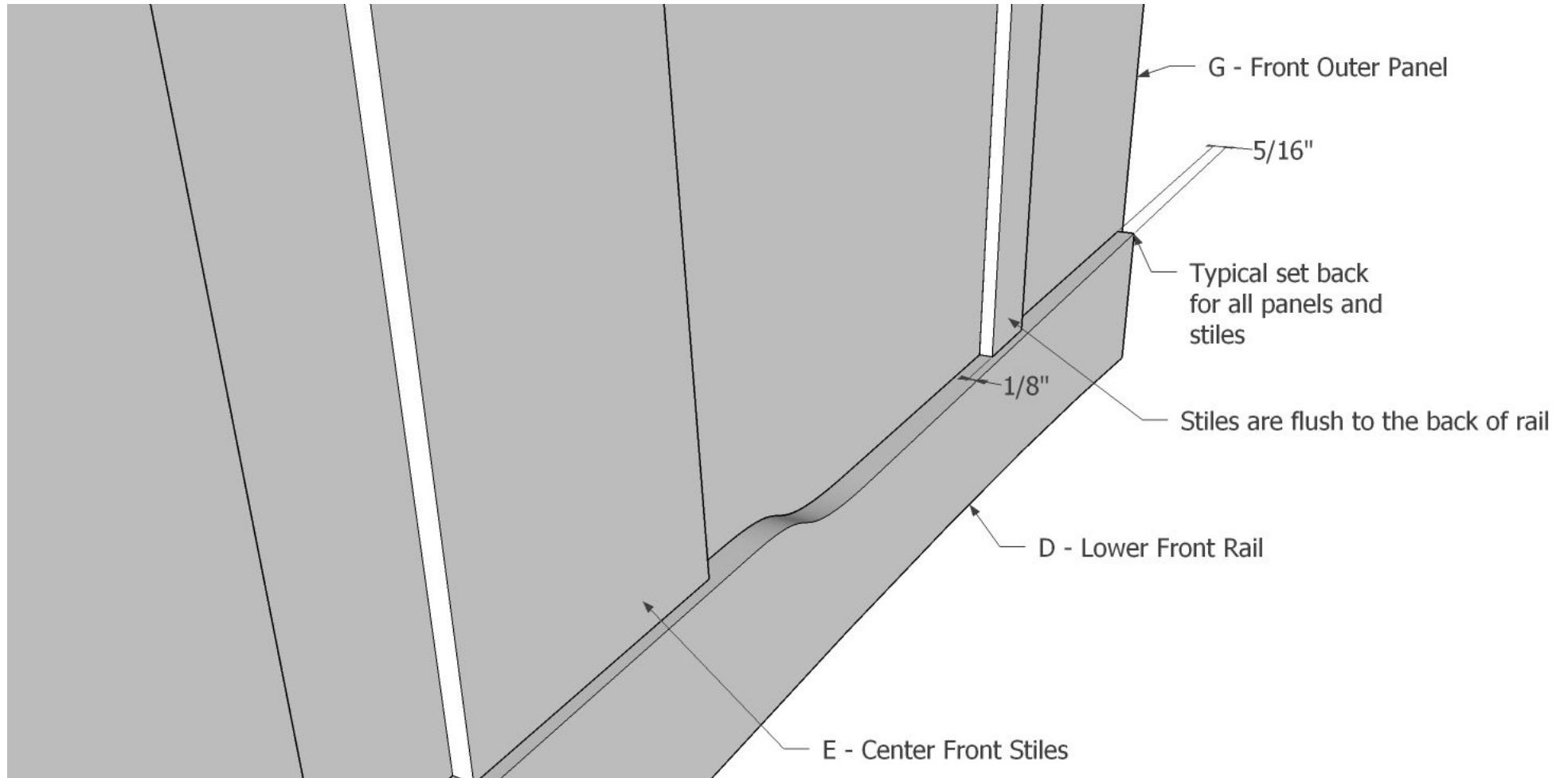
Front Assembly



Leg Detail

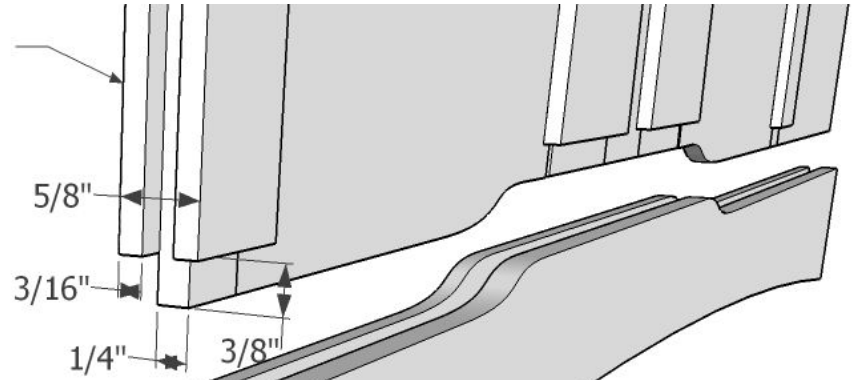


Panel and Stile Setback

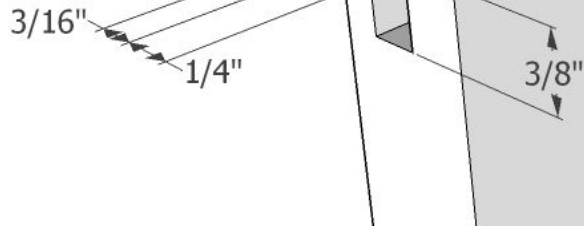


Dado Detail

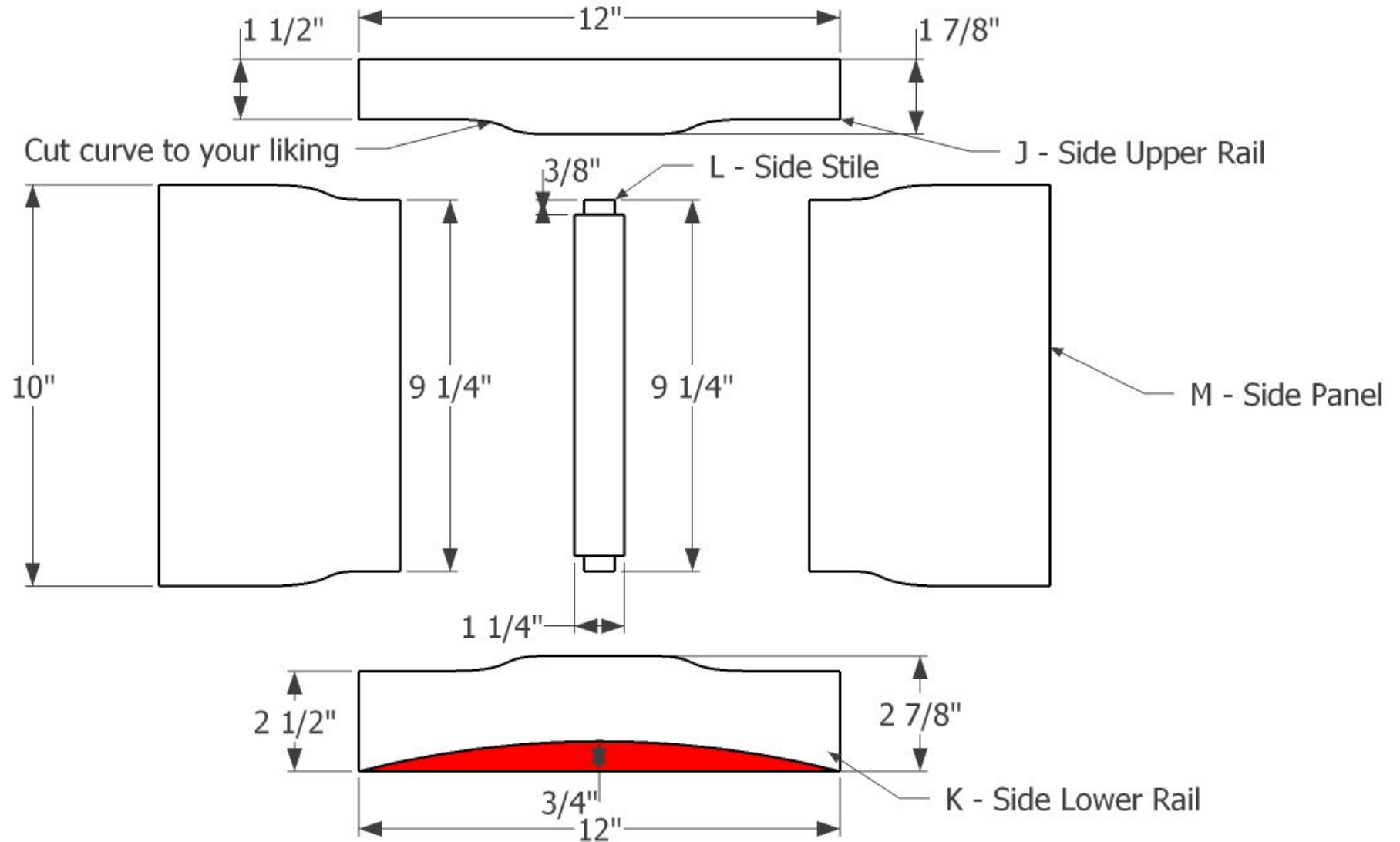
All stiles receive a 1/4" wide 1/4" deep dado on both sides



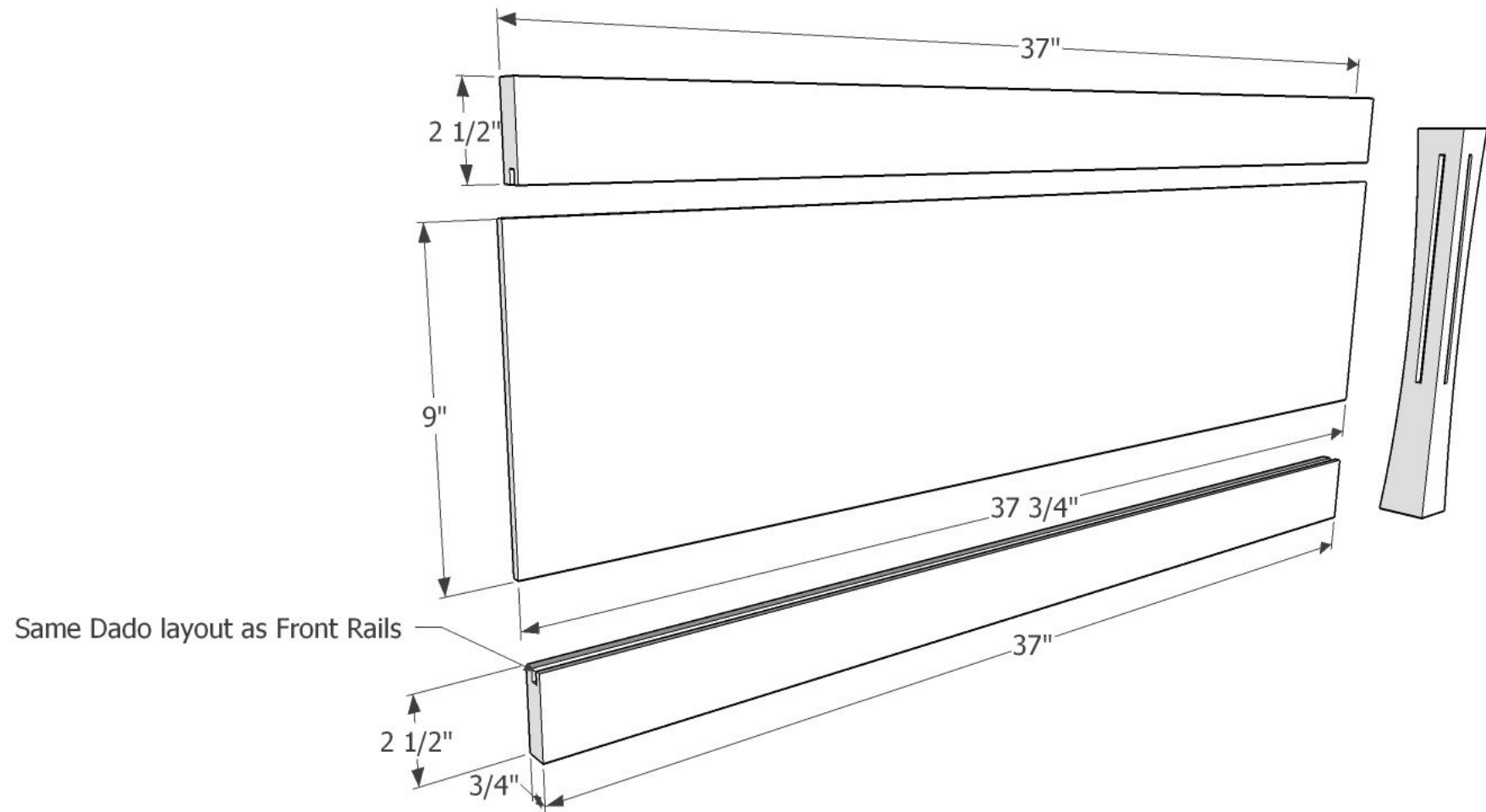
All rails receive a 1/4" wide 3/8" deep dado to accept panels



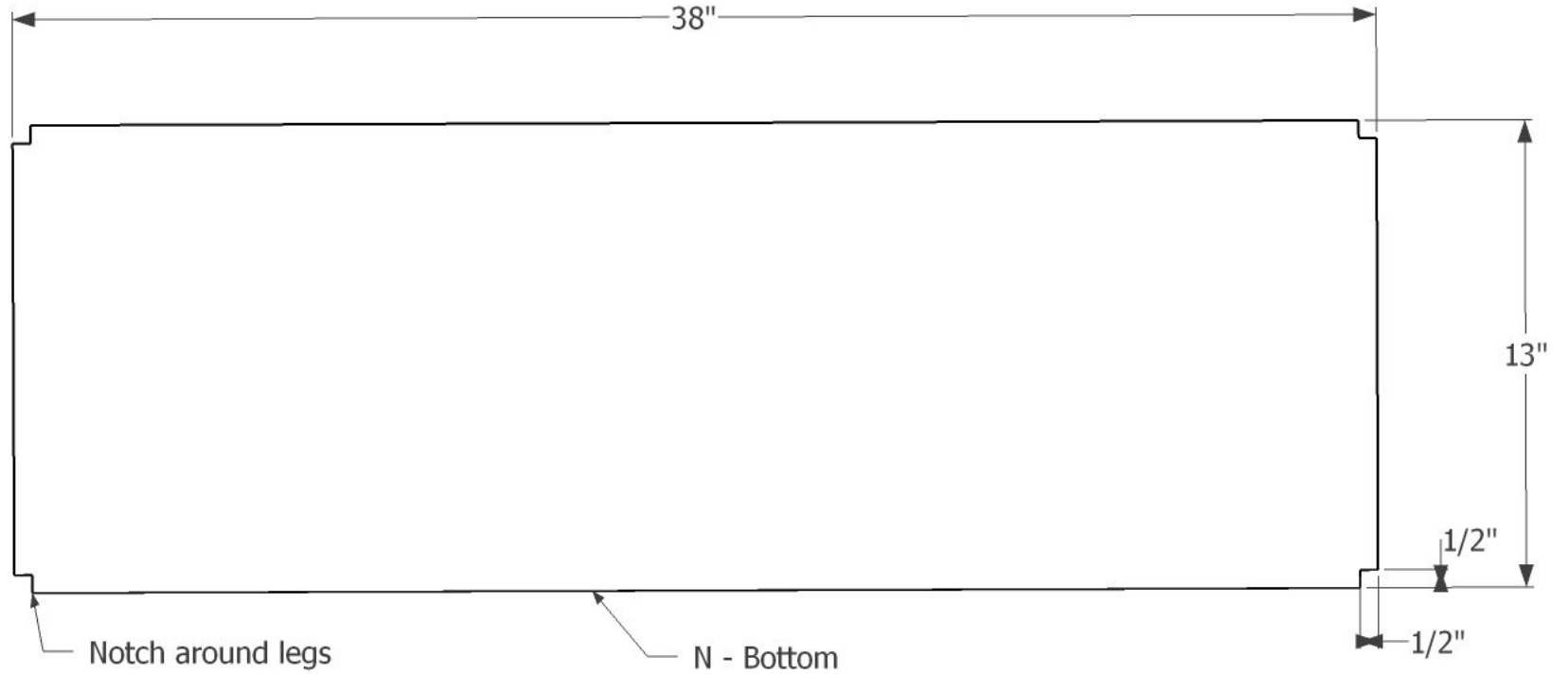
Side Assembly



Back Assembly

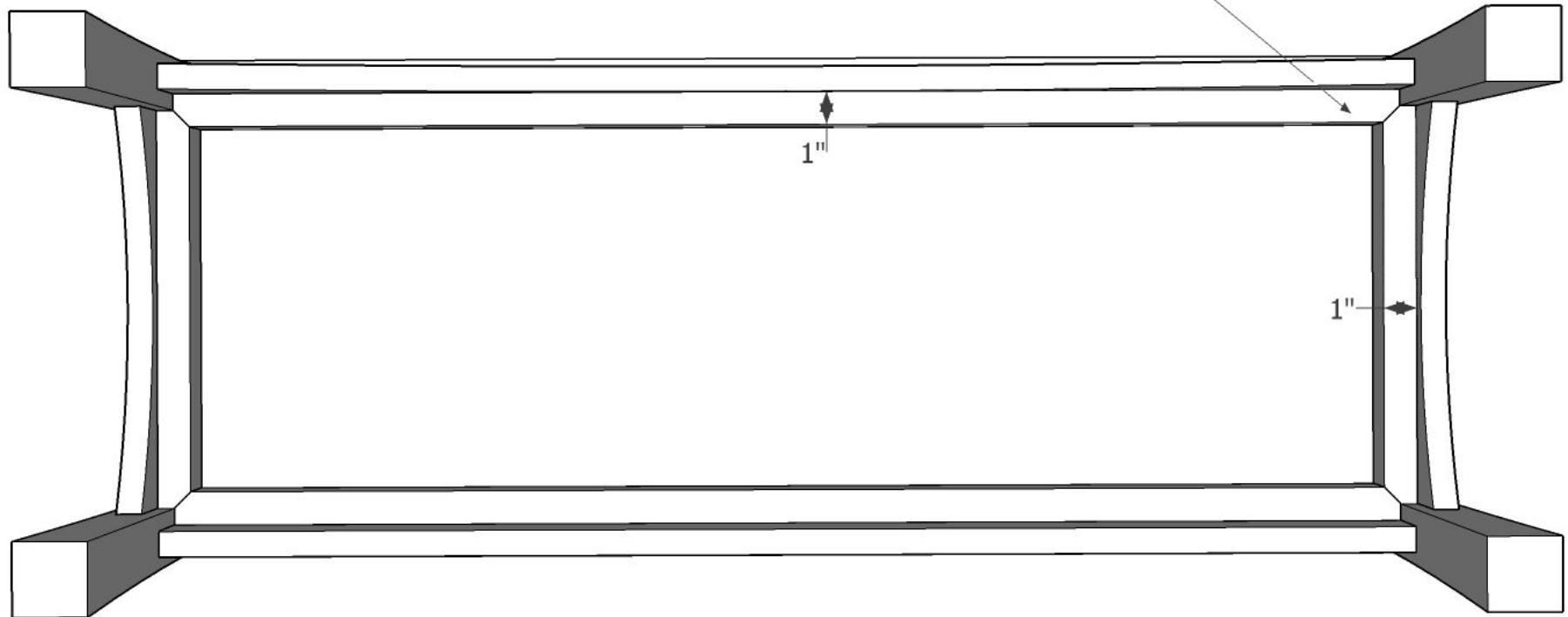


Bottom Detail



Bottom Cleat

Cut bottom cleats to fit and position just above the curve of the bottom rail



Top Detail

